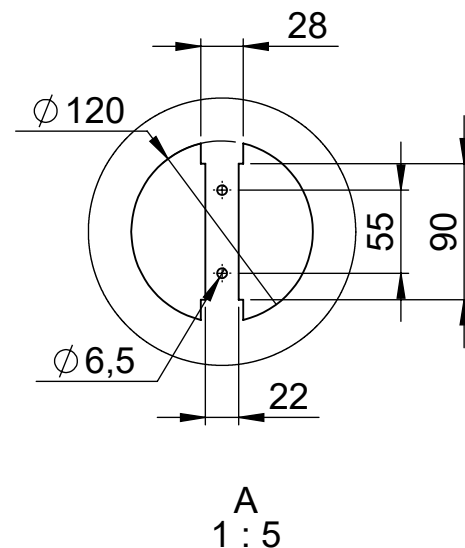
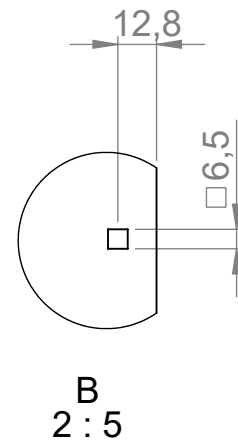
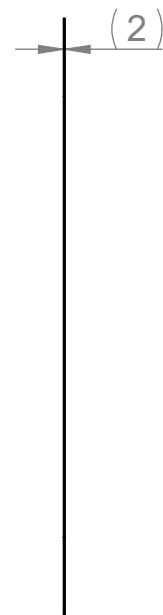
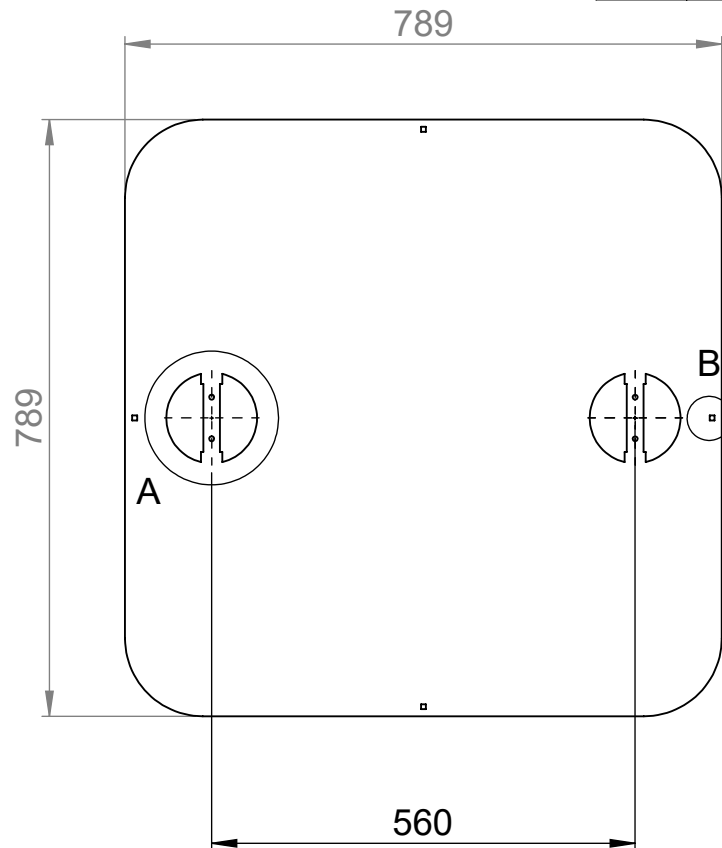
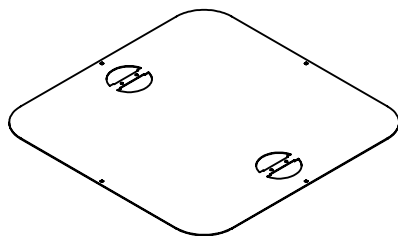



This document and its contents are the property of GrillSymbol Oü and must not be copied, reproduced or disclosed to any third party without written permission. Contravention will be prosecuted.

Revision			
Rev.	Description	Date	Approver



Missing dimension see DXF



Drw: R.Kiveste		12.09.2017	Type: PLT2 - 789x789	General tolerance symbols acc.ISO2768-mK Welding tolerances EVS-EN ISO 13920 - B Quality level weld EVS-EN ISO 5817 - C Thermal cutting ISO 9013
Chk: R.Kiveste		09.05.2023	Material: Cor-Ten	
App:		Project: Fogo		Nimetus: Cover
Sheet: 1/1	Size: A4			
Scale: 1:10	Weight kg: 9.3	Metric: mm	 GrillSymbol Oü Suur-Sõjamäe 19A 11415 Tallinn, Estonia Phone: +372 6 827 212	Drawing number: 1.012
				Rev: