

STAINLESS STEEL bollard



Brushed stainless steel

Ø 76, 90 or 114 mm



Ø 76 mm

Ø 90 mm

Ø 114 mm



TECHNICAL CHARACTERISTICS

- > Brushed 304 stainless steel tube
 \varnothing 76, \varnothing 90 or 114 mm, 2 mm thick
- > Above-ground height:
 - 900 mm (\varnothing 76 and \varnothing 90 mm)
 - 800 mm (\varnothing 114 mm)
- > Total height:
 - 1080 mm (\varnothing 76 and \varnothing 90 mm)
 - 980 mm (\varnothing 114 mm)
- > Top cap: in brushed 304 stainless steel

INSTALLATION

- > Installation: concreted directly into ground (concrete depth 180 mm)

Lockblock® 21



Code 206761

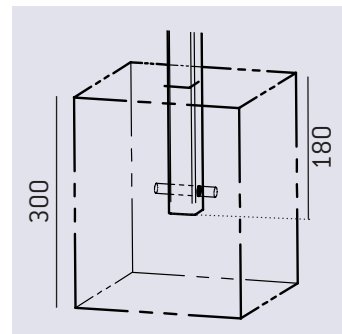
OPTION

- > Can be made removable with Lockblock® 21

PRODUCT CODES

Steel bollard \varnothing 76 mm	206761
Steel bollard \varnothing 90 mm	206762
Steel bollard \varnothing 114 mm	206763
Optional	
Lockblock® 21 for \varnothing 76 mm steel bollards	206557
Lockblock® 21 for \varnothing 90 mm steel bollards	206556
Lockblock® 21 for \varnothing 114 mm steel bollards	206558

INSTALLATION DRAWING



(Rebar not supplied)

FINISH

- > Brushed stainless steel



Brushed stainless steel

Steel bollard \varnothing 76 mm



Steel bollard \varnothing 90 mm



Steel bollard \varnothing 114 mm

