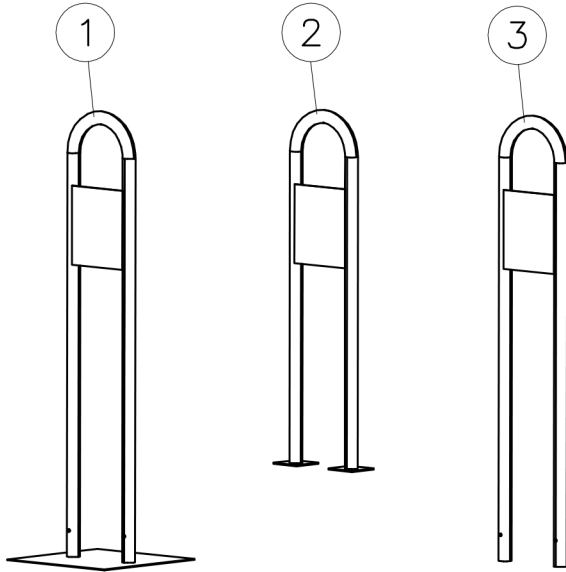





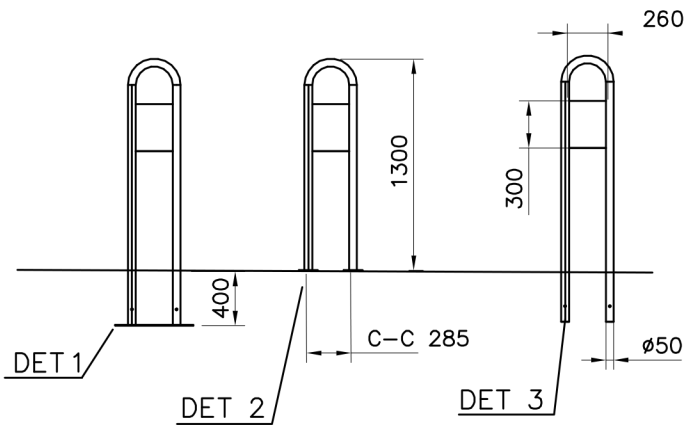
# NF6070

DATE: 05.12.2019

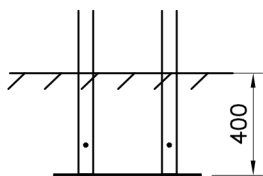
1(1)



① NF6070-1	PCS ST	② NF6070-2	PCS ST
	1		1
③ NF6070-3	PCS ST		
	1		

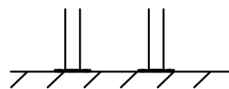


DET 1



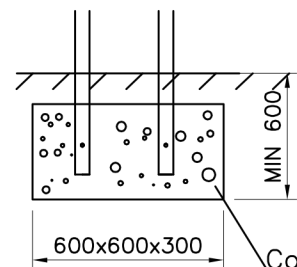
Concrete not needed

DET 2



For surface fixation

DET 3



Concrete