



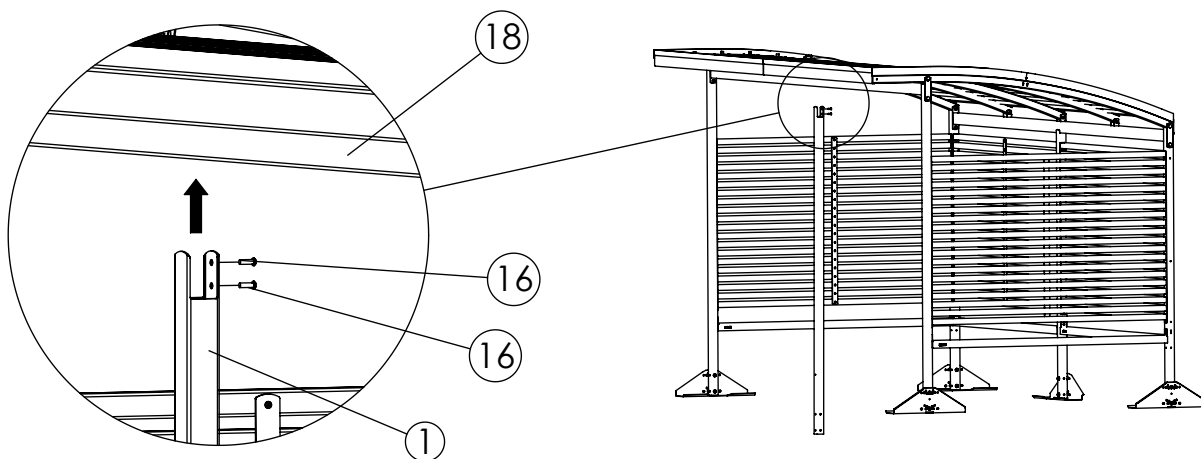


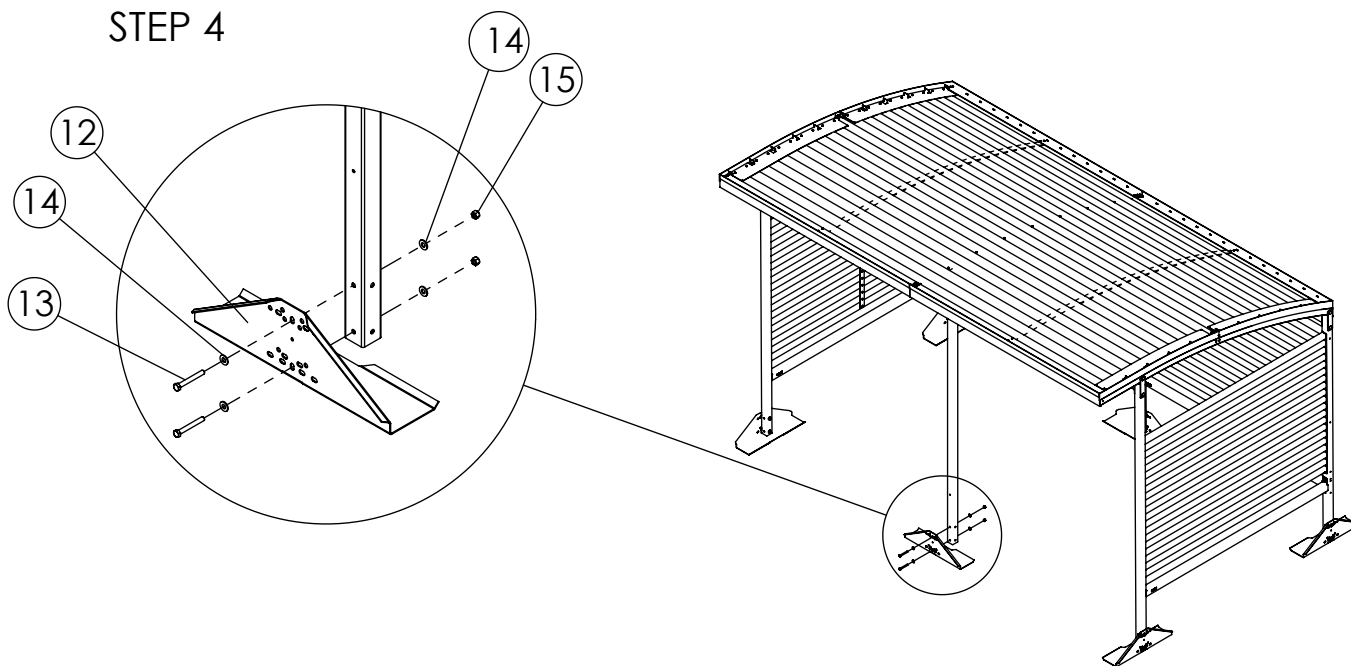
NR.	Description MA	Item Number	Qty
2	Cover front	8043937	2
3	Gable vaulted front right	8043954	1
5	Gable vaulted rear right	8043956	1
7	Eaves	8043938	2
8	Gable vaulted front left	8043955	1
10	Gable vaulted rear left	8043957	1
17	R6B A2 5,5x45 ISO 15480	8043616	68
18	Bicycle shed Stella vaulted tin roof	8043672	1

HAGS	ANEBY, SWEDEN +46(0)380- 47300 www.hags.com
	MASW44304 1 (2)
   	Tek 2015-12-16 0

STEP 3



STEP 4



NR.	Description MA	Item Number	Qty
1	Post front middle	8043934	1
12	620x160x200 mm	8001374	1
13	M6S 8.8 M10x80	8008388	2
14	Ø11x24x2 mm	8008850 (326018)	4
15	M6M M10	8008796 (324103)	2
16	KTS-GF M8x25 mm	8008506	2
18	Bicycle shed Stella vaulted tin roof	8043672	1

<h1>HAGS</h1>	ANEBY, SWEDEN +46(0)380-47300 www.hags.com		
	<h2>MASW44304</h2> <h3>2 (2)</h3>		
		TB	2015-12-16 0