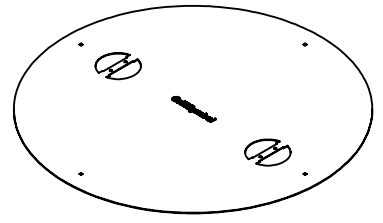
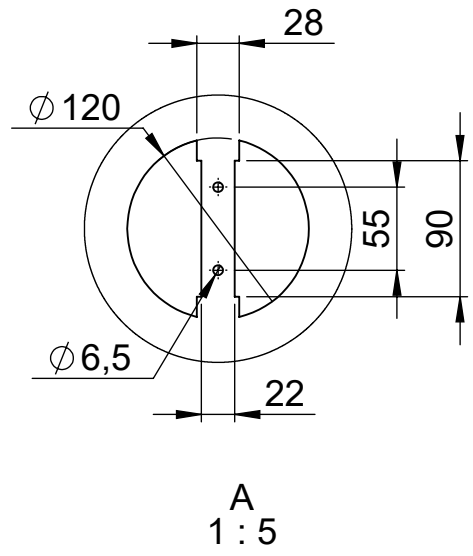
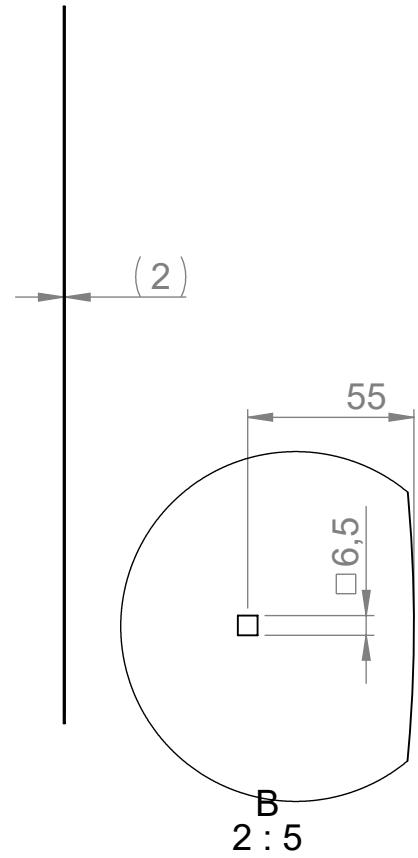
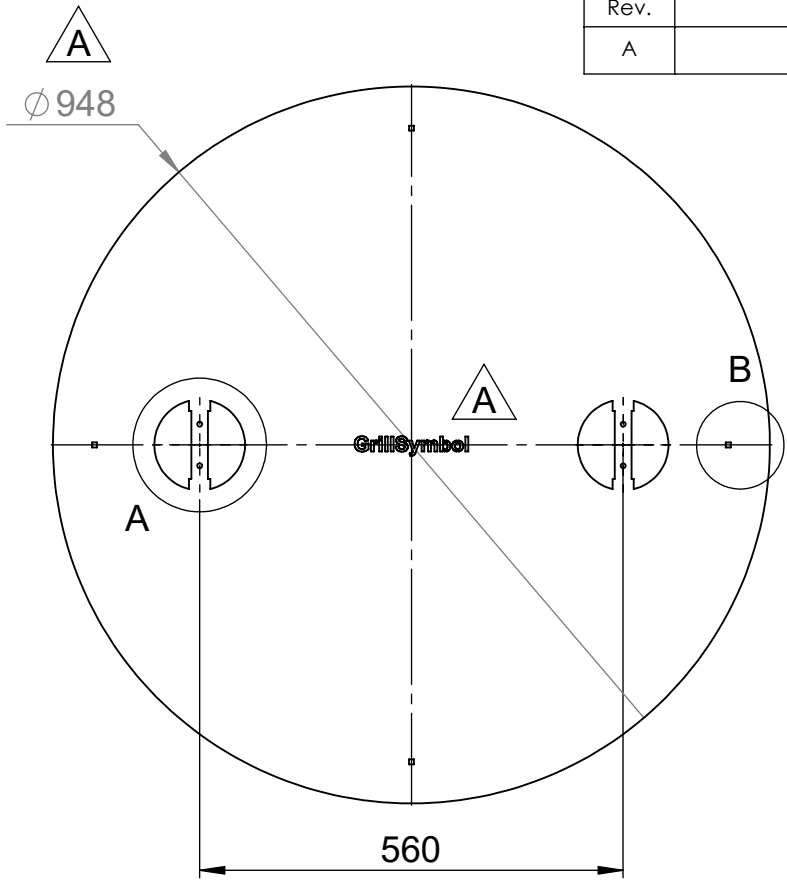



This document and its contents are the property of GrillSymbol Oü and must not be copied, reproduced or disclosed to any third party without written permission. Contravention will be prosecuted.

Revision			
Rev.	Description	Date	Approver
A	Changed dimention 950 to 948, Add. Logo	10.08.2023	RK



Missing dimension see DXF

Drw: R.Kiveste 12.09.2017		Type: PLT2 - 948x948		General tolerance symbols acc.ISO2768-mK Welding tolerances EVS-EN ISO 13920 - B Quality level weld EVS-EN ISO 5817 - C Thermal cutting ISO 9013	
Chk: R.Kiveste 10.08.2023		Material: Cor-Ten			
App:		Project: Lucas		Nimetus: Cover	
Sheet: 1/1		Size: A4			
Scale: 1:10	Weight kg: 10.7	Metric: mm	 GrillSymbol Oü Suur-Sõjamäe 19A 11415 Tallinn, Estonia Phone: +372 6 827 212	Drawing number: 9.015	Rev: A