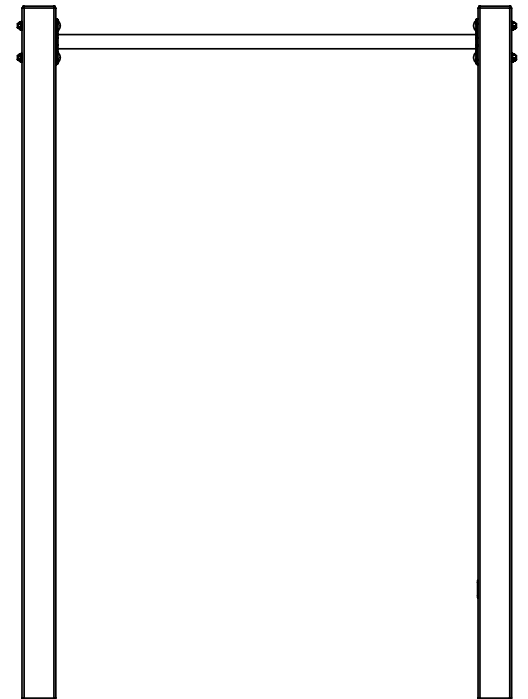

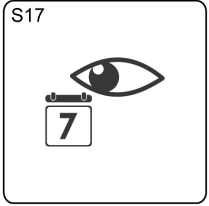
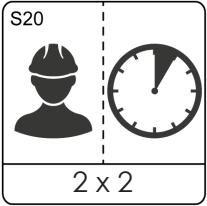


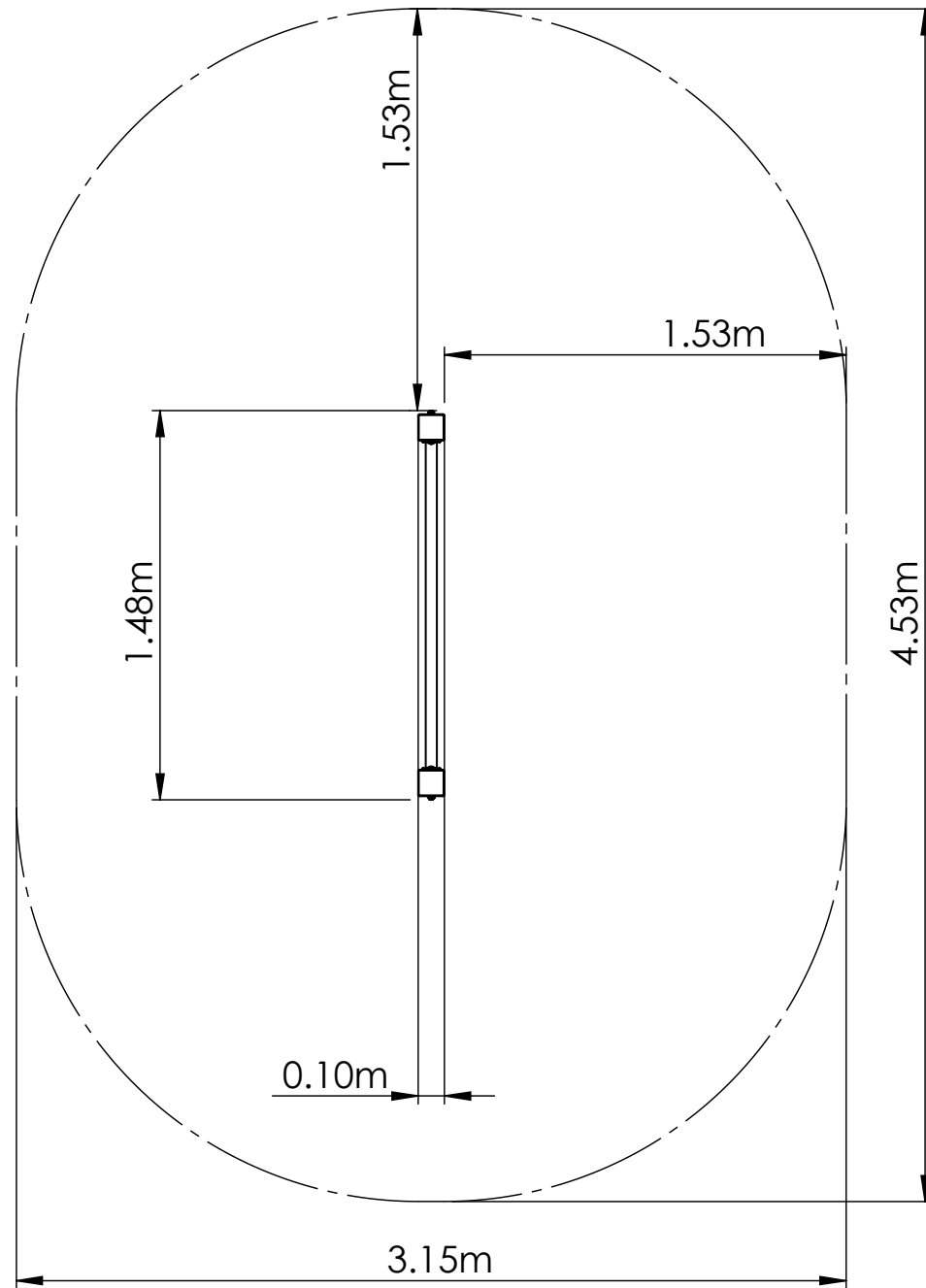
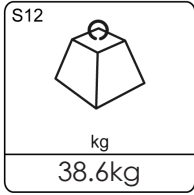
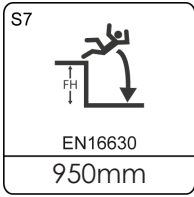
**CC**

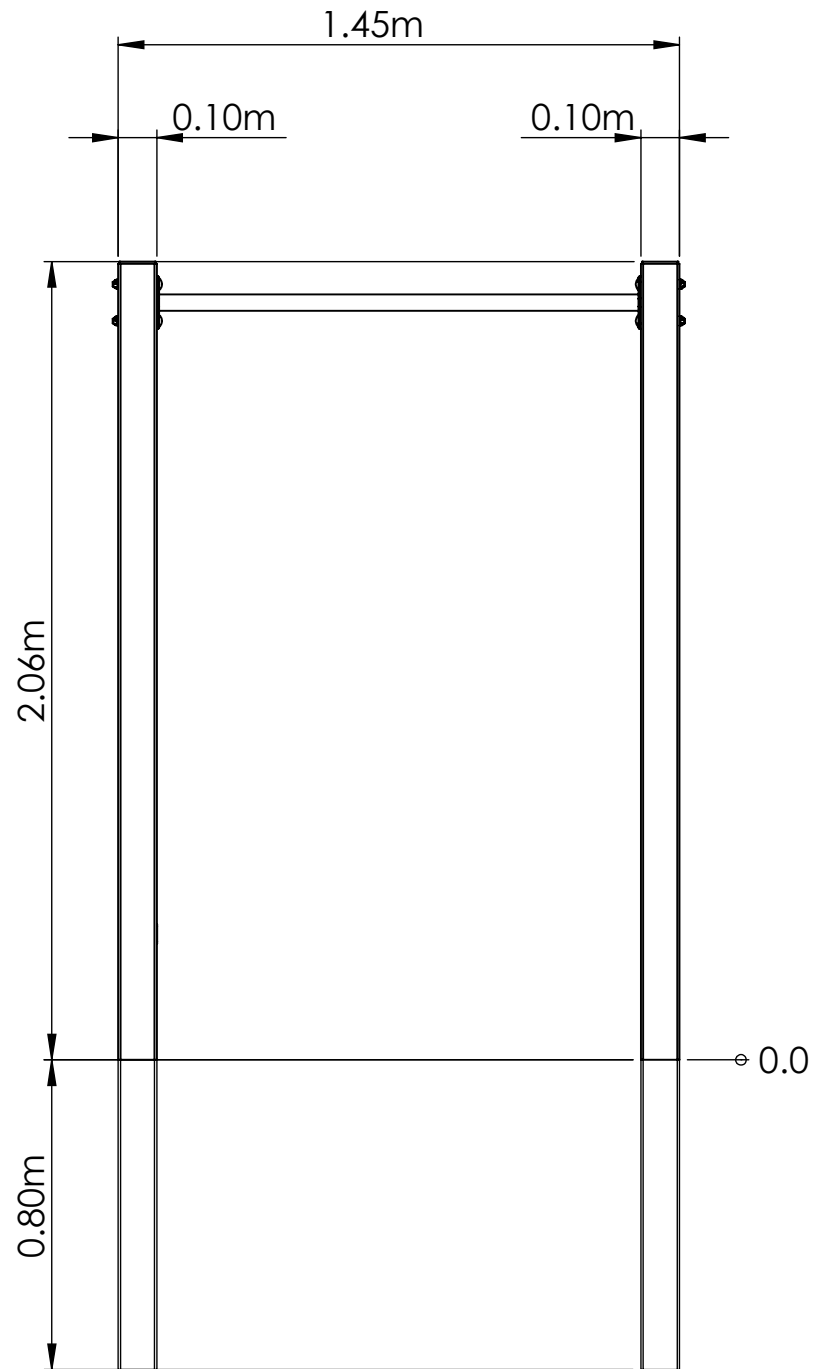
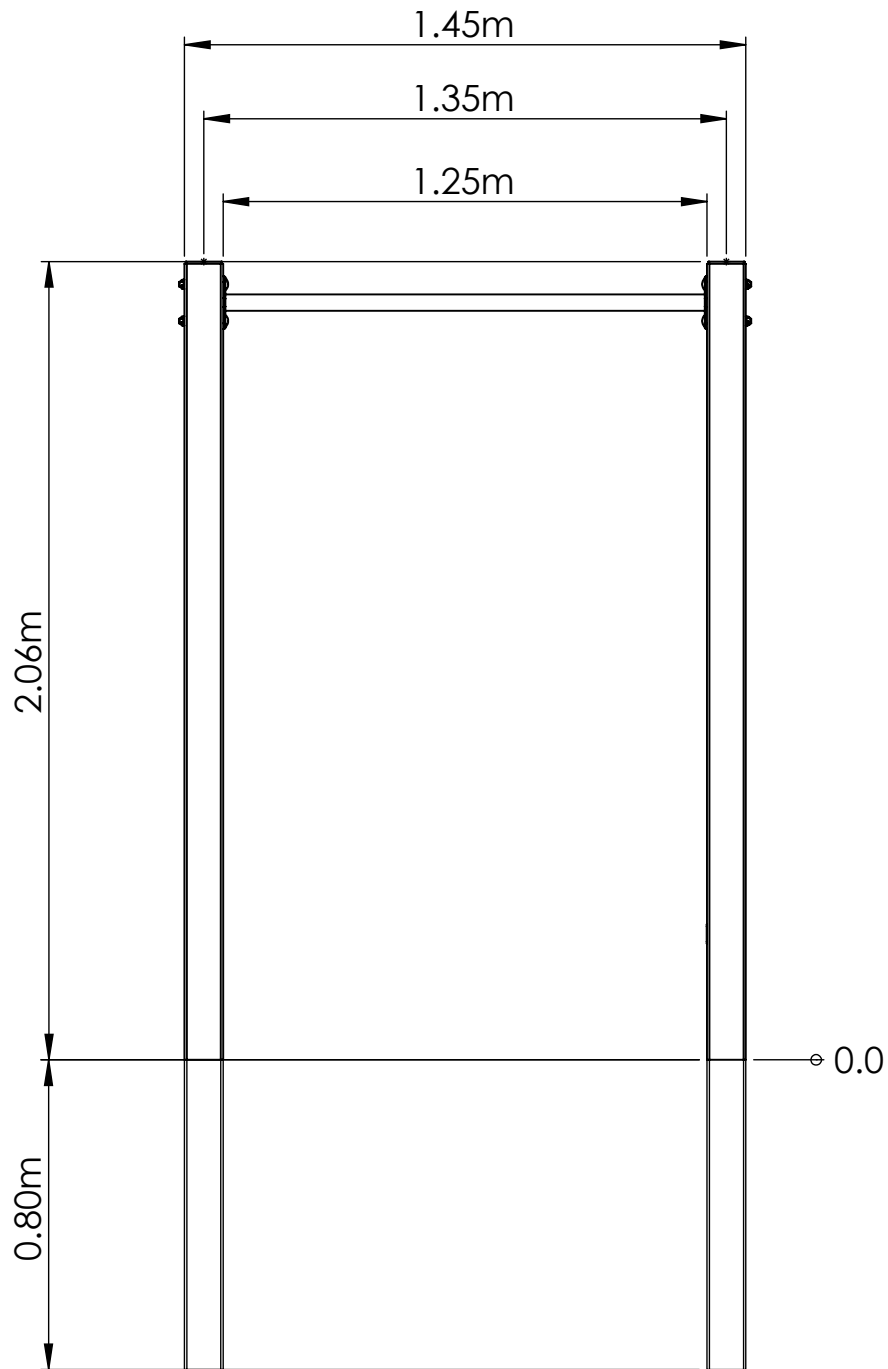


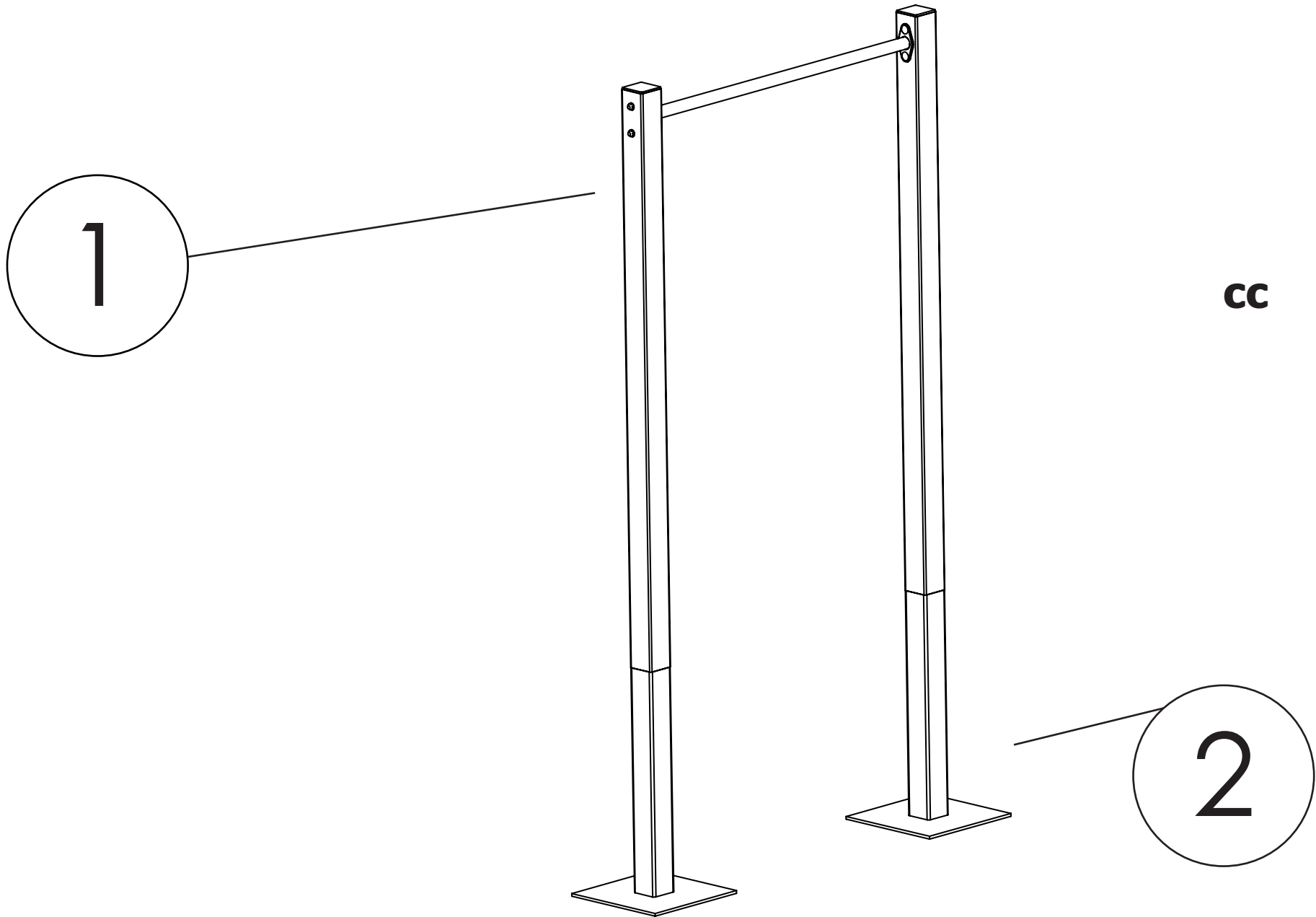
1	Upright Post		2x 100 x 100 x 2860	34.5kg
---	--------------	--	---------------------	--------

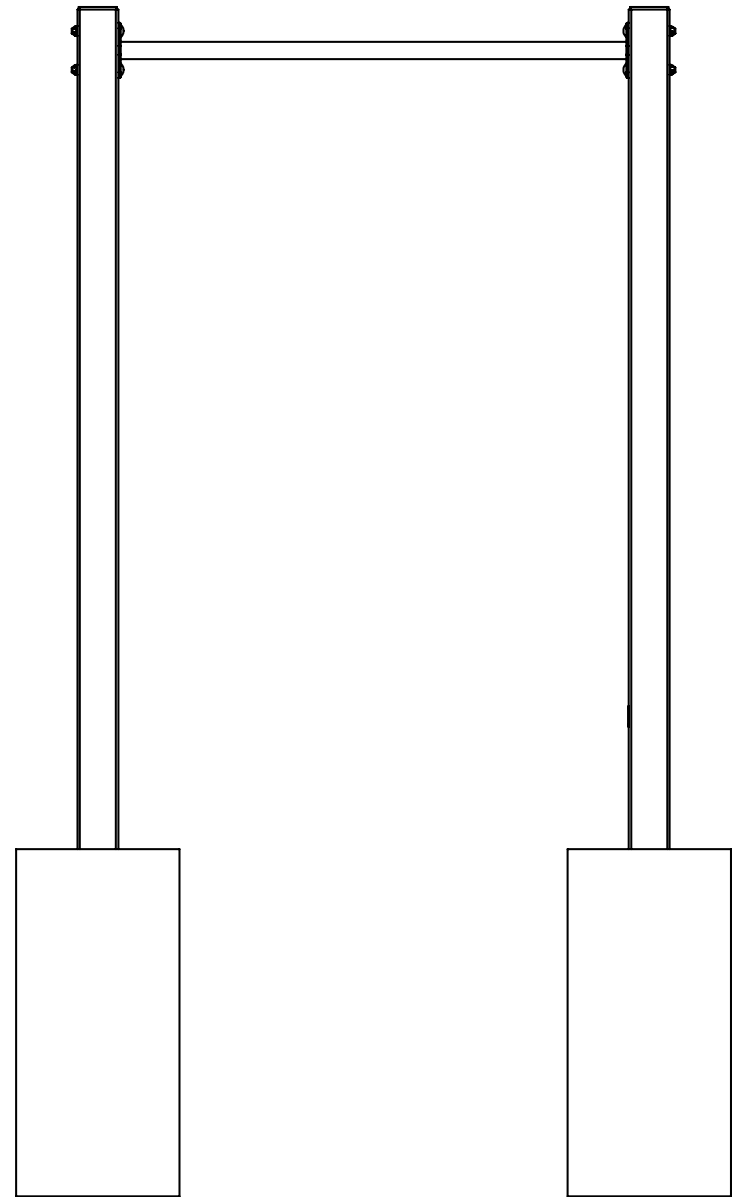
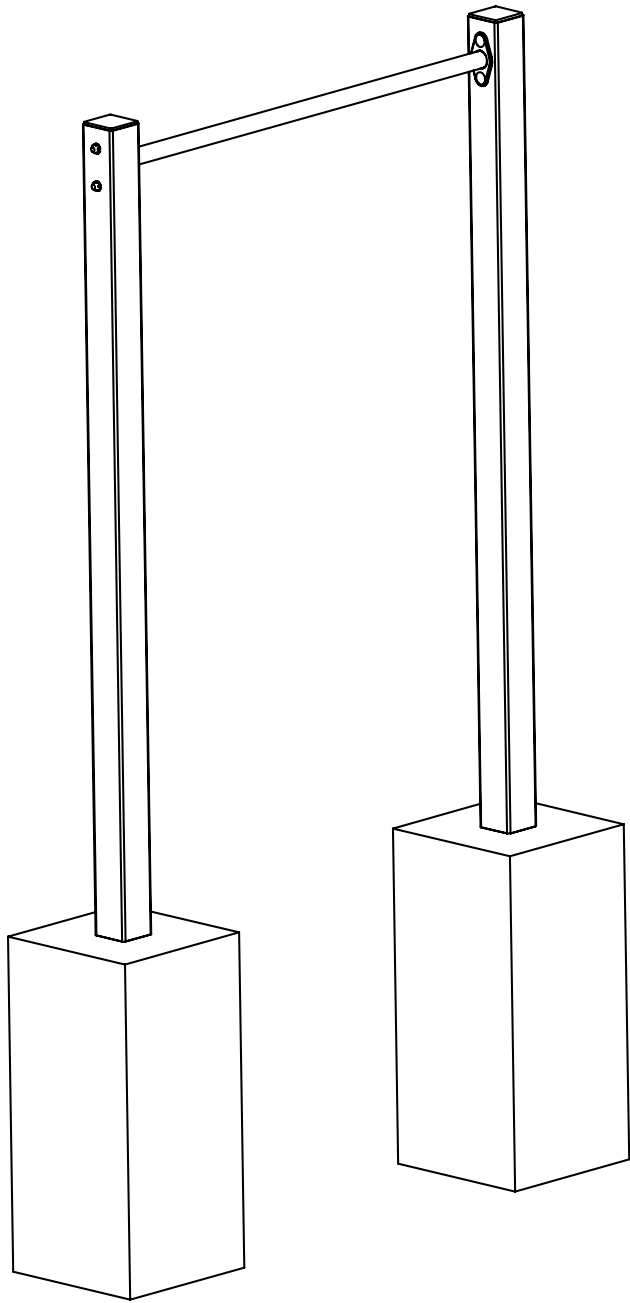
2	Single Pull Up Bar		1x 777 x 489 x 344	4.1kg
---	--------------------	---	--------------------	-------

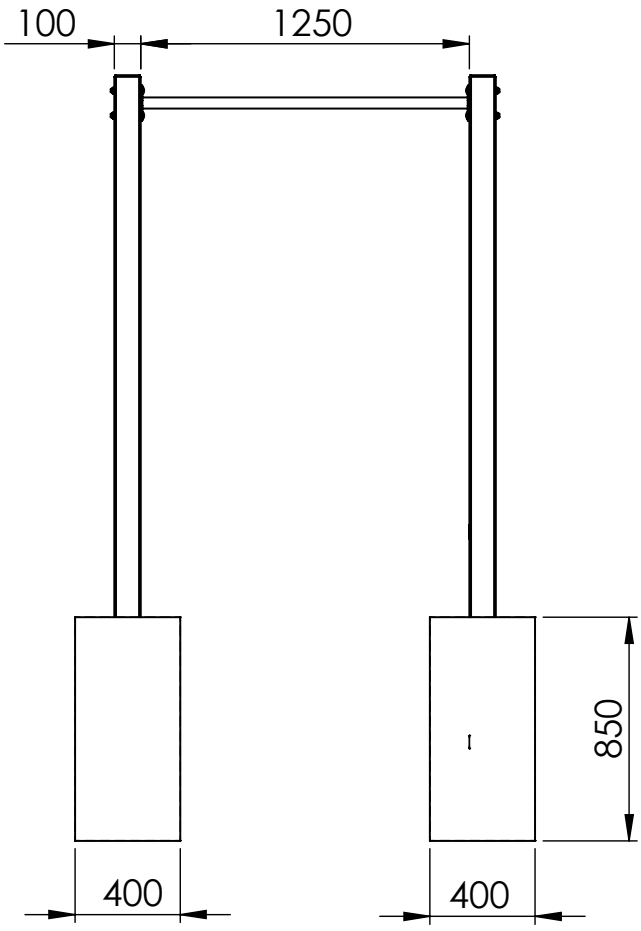
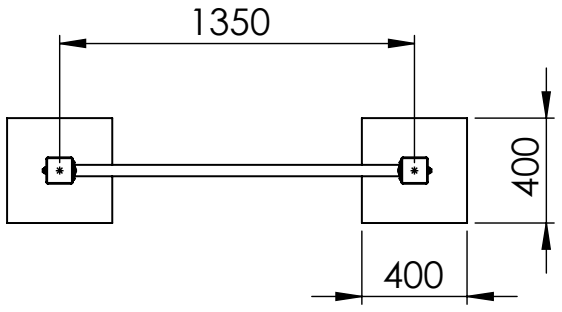






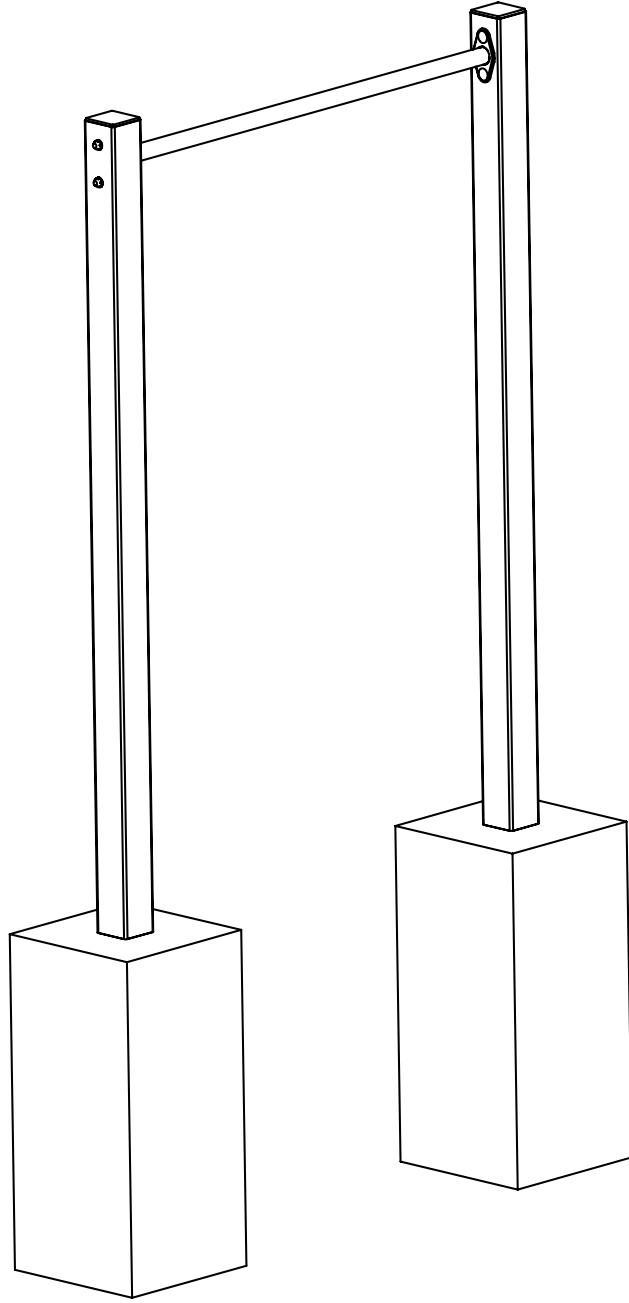






Concrete

Side



CC