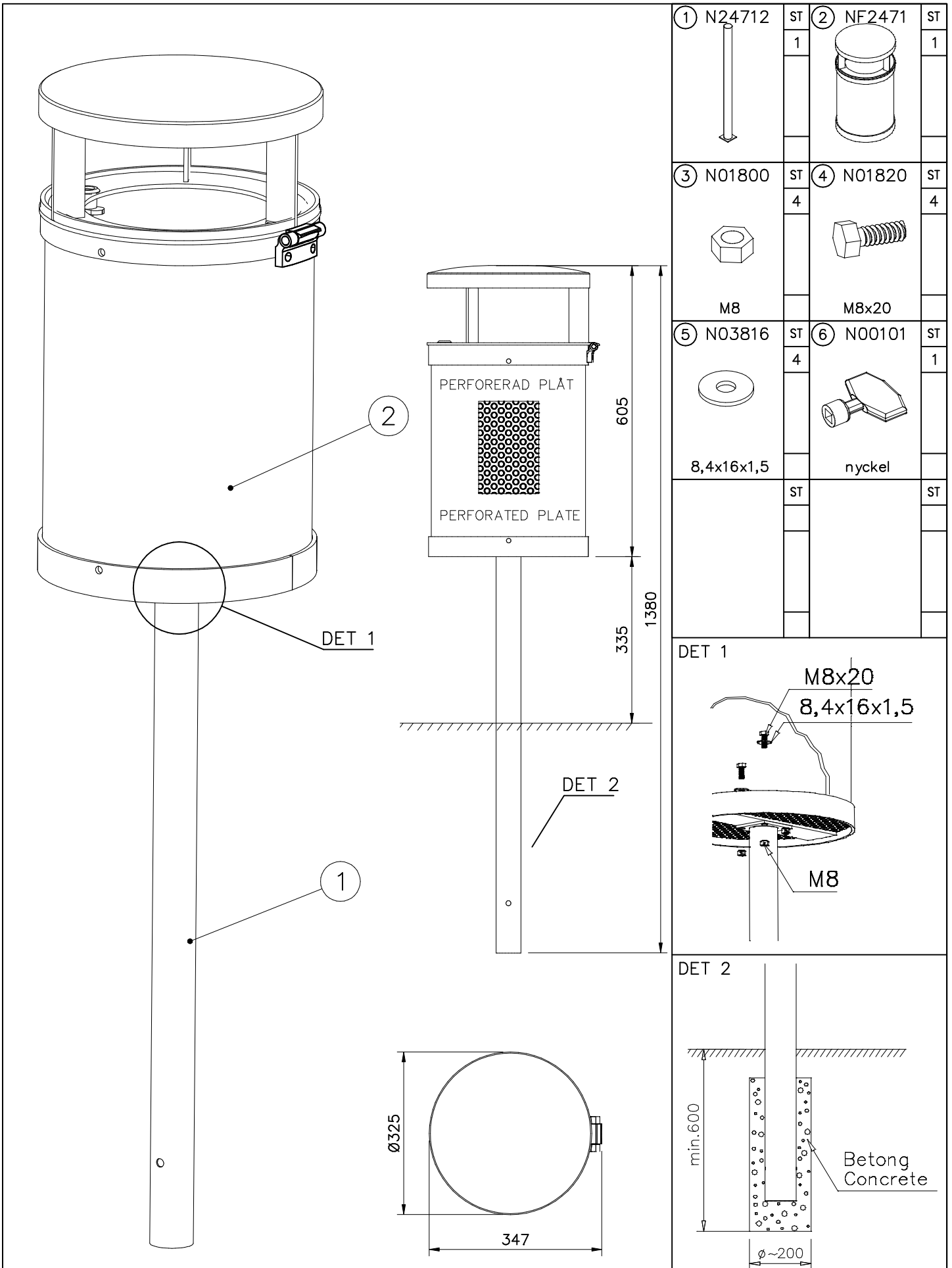

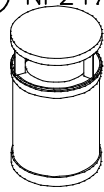
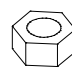
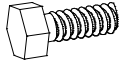
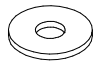
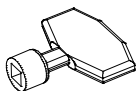


NF2471

DATUM: 10.5.2004

1(1)



① N24712	ST	② NF2471	ST
	1		1
③ N01800	ST	④ N01820	ST
	4		4
M8		M8x20	
⑤ N03816	ST	⑥ N00101	ST
	4		1
8,4x16x1,5		nyckel	
	ST		ST

