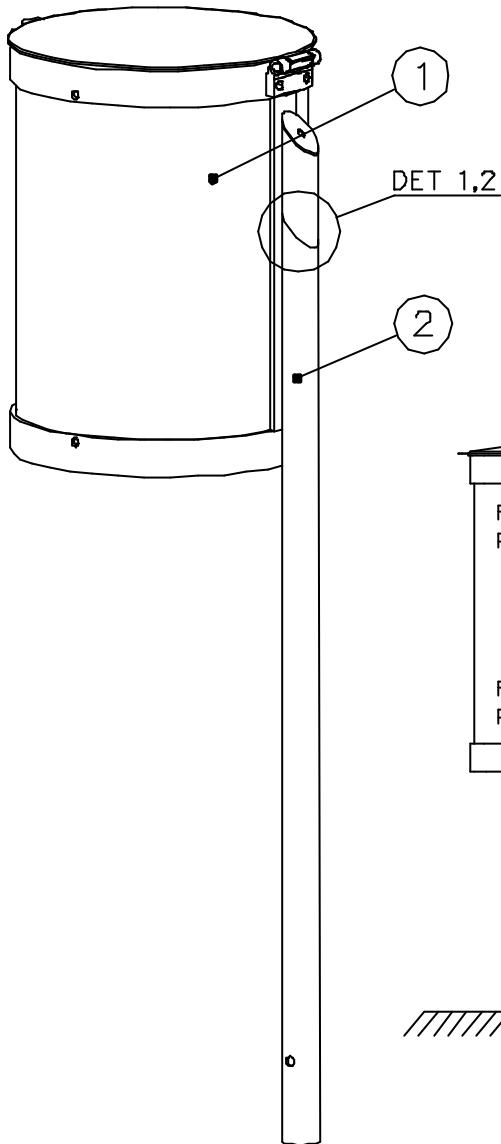


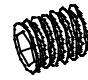
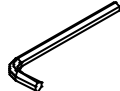


# NF2465

DATUM: 18.2.2003

1(1)



① N24615	ST	② N24612	ST
	1		1
N24611			
③ N00103	ST	④ N00104	ST
	1		1
M6		Ø3	
	ST		ST
	ST		ST

