

# Mounting instructions for sand digger „tollo“

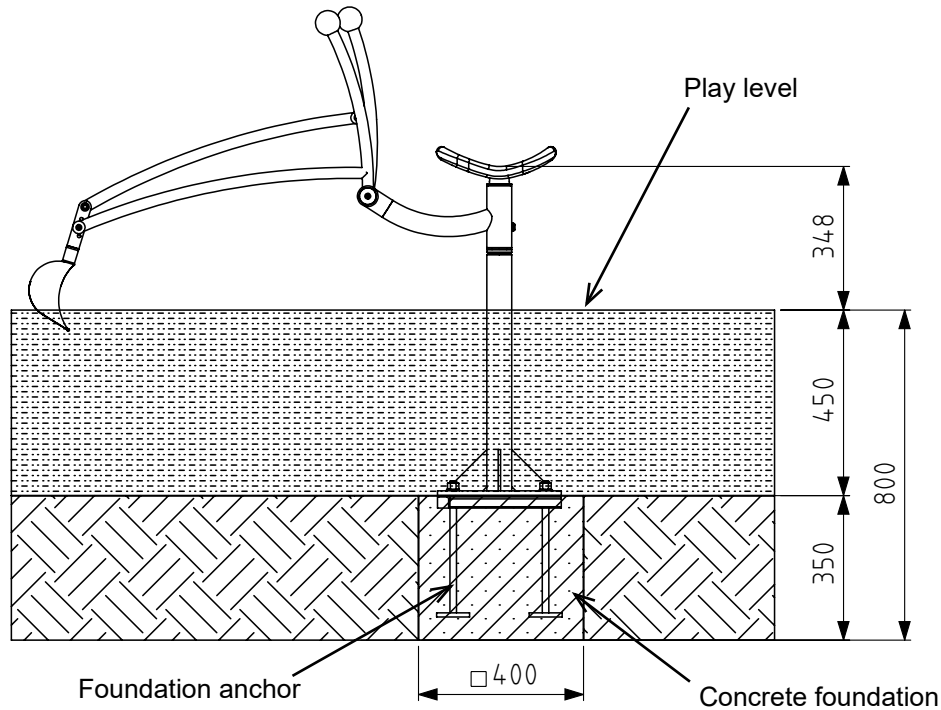
Item-No. 51 1100 402



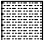


*Diagram 1: Overall view of the play equipment*

# Mounting instructions for sand digger „tollo“

Item-No. 51 1100 402



## Legende

-  Sand  
sand
-  Beton  
concrete
-  gewachsenes Erdreich  
natural ground

1. Select the location of the play equipment taking into account the required minimum space (see diagram 3).
2. The impact area of a playground equipment with an enforced movement is not allowed to overlap the impact area of other equipment.  
According to DIN EN 1176-1, 4.2.8.5.2 shock-absorbing floors must be made on the entire impact area of every equipment that cause forced movement.
3. Carry out excavation work for the foundation as shown in diagram 2. After excavation compress the foundation floor.  
**Note:** The play equipment is installed at play level.  
Pay attention to items marked „play level“ at play equipment!
4. Set up the concrete foundation according to diagram 2 with central, horizontal reinforcement. Pour the supplied foundation anchor in the foundation so that the upper angle frame is horizontal and flush with the foundation surface.

### Reinforcement plan: Concrete foundation with reinforcement

Main foundation: BSt 500S

Stirrups  $\varnothing$  8 mm lengthwise and cross

Concrete cover  $h' = 3$  cm

Concrete quality class C 20/25 - C 25/30

Diagram 2: Foundation plan

# Mounting instructions for sand digger „tollo“

Item-No. 51 1100 402

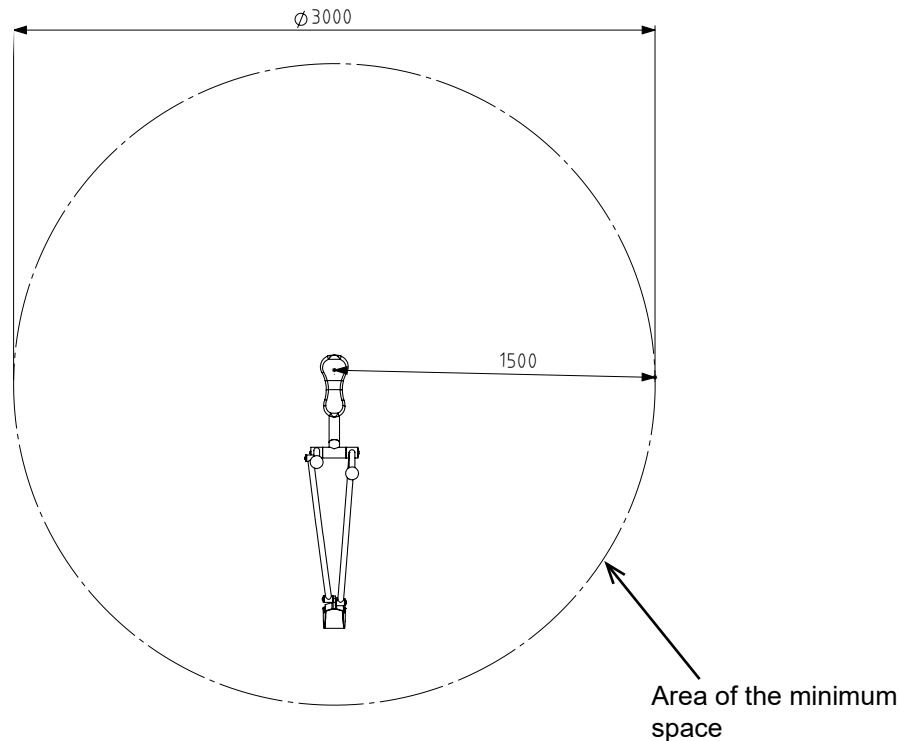


Diagram 3: Top view

5. After a setting period of 10 – 14 days, depending on weather conditions and foundation size, fill up and compress the holes between the foundation and the foundation hole with excavation..
6. Clean the foundation surface and place the play equipment on the foundation anchor and screw it down.
7. Cover the entire area of the minimum space with sand up to the items marked „play level“.  
**Critical drop height: 350 mm**  
Recommended surface material: sand
8. Do not allow children to use the equipment before the installation has been finished.

**Attention:** If the play equipment has been incompletely installed or partly dismantled when carrying out maintenance and repair work, this may lead to particular risks of injury for the user. For this reason, make clearly visible that the equipment shall not be used in such cases.

**NOTE:** Play equipment, which contain components made of stainless steel should not come with „normal“ steel parts in contact. Those steel parts may rub off and leave small steel particles in combination with moisture brown rust stains. If such corrosion occur on stainless steel parts, they are fine with an abrasive (240 grit) to remove.

Please take care when transporting and setting up the fact that the components are made of stainless steel with no „normal“ steel parts in contact.

# Mounting instructions for sand digger „tollo“

Item-No. 51 1100 402



In order to preserve a good visual appearance of your stilum playground equipment over a long period one should take care of maintenance of the stainless surface even despite of their corrosion resistance.

Especially areas, which can not be reached by rainfall should be frequently cleaned from dirt and deposits due to air pollution and dirt caused by the atmosphere.

Light soiling can easily be removed by using a high pressure cleaner.

For persistent deposits use a clean cloth moistened with a special liquid cleaner (e.g. on phosphoric acid) and rinse off with clear water after a short application time. During cleaning with mild abrasive components, only wipe over stainless steel surface in polishing direction.

For heavily soiled surfaces, polishes can be used (e.g. for cleaning chrome on cars) or for greasy and oily dirt alcoholic cleaning agents and solvents (e.g. ethyl alcohol, isopropyl alcohol or acetone).

However, it should be noted that the dissolved soiling is not spread over the surface again.

Do not use any chlorid or hydrochloric containing cleaning products nor scouring powder, bleaching - or silver polish cleaner. Cleaning intervals depend on type and degree of soiling as well as on demands made on optical characteristics.

Therefore cleaning is advisable at intervals of six to twelve months – whereby in the case of strong soiling it is appropriate to clean the playground equipment at intervals of three to six months.

# Maintenance instructions for digger „tollo“

Item-No. 51 1100 401



## Quarterly operative inspection:

1. Check the play and safety area for obvious safety hazards and cleanliness (e.g. exposed foundations, missing or damaged parts, missing or insufficient impact absorption, broken pieces, dirt etc.).
2. Check the play area for cleanliness and damages. Protruding elements, if there are any, have to be removed. If necessary fill up the installation depth to the mark „game level“.
3. Check the equipment for cleanliness, correct functioning, wear, stability and damages. Check all the fixing elements and retighten them if necessary. In case of damages, replace the damaged elements.

## Annual main inspection

(in intervals of not more than 12 months):

**In addition to** the checks of the operative inspection, pay special attention to the stability of the equipment (which may be affected due to corrosion or vandalism) and its operational safety, especially after repair works or after mounting new elements or replacing existing elements. For that purpose, it may be necessary to uncover the foundations.

---

### Attention!

The maintenance intervals mentioned above are to be understood as recommendations. The frequency of inspections has to be increased accordingly in case of intensive use of the equipment, extreme weather conditions, installations near the coast or in places which are often subject to vandalism and depending on the age of the equipment!

In addition to the maintenance recommendations given by the manufacturer, it is also absolutely necessary to follow the regulations stipulated in DIN EN 1176-7!

When exchanging or repairing elements, please always use original spare parts for the sake of operational safety and for liability reasons!

If the play equipment has been incompletely installed or partly dismantled when carrying out maintenance and repair work, this may lead to particular risks of injury for the user. For this reason, make clearly visible that the equipment shall not be used in such cases!

# Maintenance instructions for digger „tollo“

Item-No. 51 1100 401

In order to preserve a good visual appearance of your stilum playground equipment over a long period one should take care of maintenance of the stainless surface even despite of their corrosion resistance.

Especially areas, which can not be reached by rainfall should be frequently cleaned from dirt and deposits due to air pollution and dirt caused by the atmosphere.

Light soiling can easily be removed by using a high pressure cleaner.

For persistent deposits use a clean cloth moistened with a special liquid cleaner (e.g. on phosphoric acid) and rinse off with clear water after a short application time. During cleaning with mild abrasive components, only wipe over stainless steel surface in polishing direction.

For heavily soiled surfaces, polishes can be used (e.g. for cleaning chrome on cars) or for greasy and oily dirt alcoholic cleaning agents and solvents (e.g. ethyl alcohol, isopropyl alcohol or acetone).

However, it should be noted that the dissolved soiling is not spread over the surface again.

Do not use any chlorid or hydrochloric containing cleaning products nor scouring powder, bleaching - or silver polish cleaner. Cleaning intervals depend on type and degree of soiling as well as on demands made on optical characteristics.

Therefore cleaning is advisable at intervals of six to twelve months – whereby in the case of strong soiling it is appropriate to clean the playground equipment at intervals of 3 to six months.

# DATA SHEET SAND DIGGER TOLLO

Text for invitation to tender | Item No: 511100402



## MATERIALS | SCOPE OF SUPPLY

Sand digger, pre-mounted completely

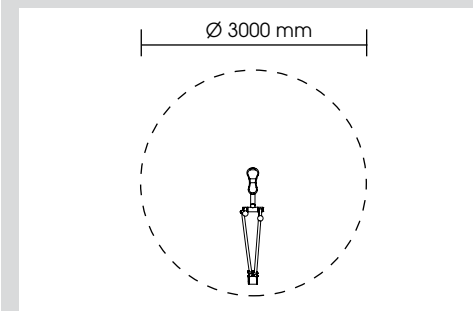
Tubular frame:	stainless steel, V2A
Saddle seat:	EPDM caoutchouc with steel inlay, 1 piece
Handles:	stainless steel, V2A with balls made of EPDM caoutchouc, 2 pieces
Digger levers:	stainless steel, V2A, 2 pieces
Shovel:	stainless steel, V2A, 1 piece
Foundation anchor:	galvanized steel

## TECHNICAL INFORMATION

Dimensions:

Main dimension:	1380 x 250 mm
Height:	730 mm
Weight:	32 kg
Capacity:	acc. to normative requirements
Dimension largest piece:	1380 x 250 x 1180 mm
Heaviest piece:	26 kg

Max. fall height:	350 mm
Minimum space:	Ø 3000 mm
Required sand:	min. 3,18 m <sup>3</sup>
Recommended surface material:	sand



## INSTALLATION

Foundations: 1

Installation according to our detailed mounting instructions, see [www.stilum.com](http://www.stilum.com)

