

# PROTECTORS

## POLE PROTECTOR Ø 60 MM

### TECHNICAL CHARACTERISTICS

- > Structure steel tube, Ø 60 mm
- > Total height:
  - Concreted version: 775 mm
  - On base plates: 503 mm
- > Width: 650 mm
- > Height above ground (concreted version): 500 mm

### INSTALLATION

- > Installation: concreted directly into ground (recommended concrete depth: 275 mm) or base plates 130 x 75 mmmm
- > Option: installation in socket



Code 291031

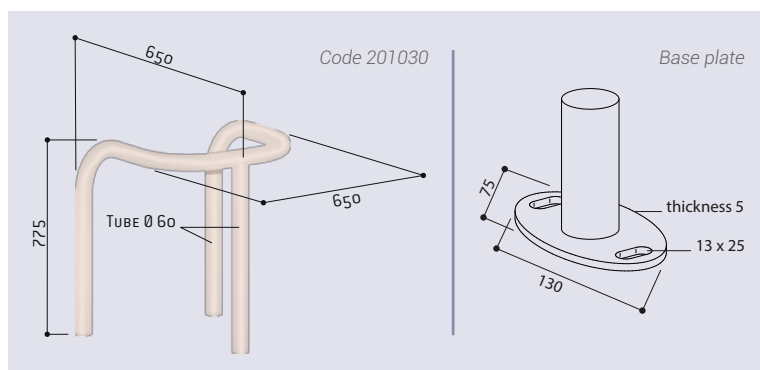
### PRODUCT CODES

	Galva	Galva + Painted
Concreted	201030	201031
On base plates	291030	291031



Code 201030

### DRAWINGS



### FINISH PAINTED

- > Galvanised or galvanised & painted in our RAL colours

