

### TECHNICAL CHARACTERISTICS

- > Total height (non-installed):
  - Ø 60 mm: 1280 mm
  - Ø 76 mm: 1180 mm
- > Steel tube: Ø 60 or 76 mm with 1 or 2 chain links
- > Steel guage: 3 mm with a welded dome top
- > 2 chaine diameters: Ø 12 and Ø 5 mm



Code 204361 + 204371 + 204376



Code 204362 + 204381 + 204386

### INSTALLATION

- > Installation direct into concrete (depth of the concrete fix 180 mm)



### PRODUCT CODES AND DIMENSIONS

- > For your project, choose the ring bollards that suit you, the type of chain and link you want to install

	Galva	Galva + Painted	Zinc + Painted
<b>Steel bollard Ø 60 mm</b>			
Height above ground: 1100 mm			
1 ring	204321	204331	204665
2 rings	204322	204332	204666
<b>Steel bollard Ø 76 mm</b>			
Height above ground: 1000 mm			
1 ring	204361	204365	204668
2 rings	204362	204366	204669

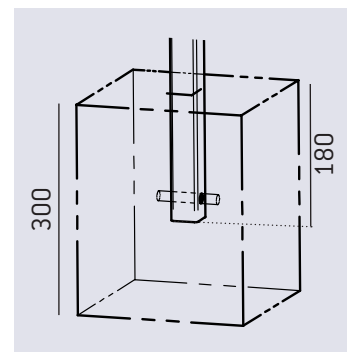
### CHAIN AND LINK

Interior dimensions

Chain	Galva	Galva + Painted
Chain Ø 12 x 24 x 78 mm	204371	204381
Chain Ø 5 x 10 x 35 mm	204370	204380
Link	Zinc plated	Zinc + Painted
Link Ø 12 x 24 x 80 mm	204376	204386
Link Ø 5 x 13,5 x 51 mm	204375*	204385

\*stainless steel finish

### INSTALLATION DRAWING



### FINISH PAINTED

- > Zinc primed and painted in our colours
- > Chain: galva or galva & painted in our standard RALs (except Corten effect)
- > Chain links: galva or galva & painted in our standard RALs (except Corten effect)



Dome top bollard Ø 60 mm      Dome top bollard Ø 76 mm

