

DECORATIVE RAILINGS

PAGODA RAILING

TECHNICAL CHARACTERISTICS

- > Two lengths: 1080 or 1580 mm
- > Overall height: 1165 mm
- > Height above ground: 985 mm
- > Ground clearance: 135 mm
- > 80 x 40 mm steel tube posts
- > 30 x 30 mm horizontal rails
- > Single cross frame
- > Black lacquered cast aluminium top caps

INSTALLATION

- > Concrete directly into the ground

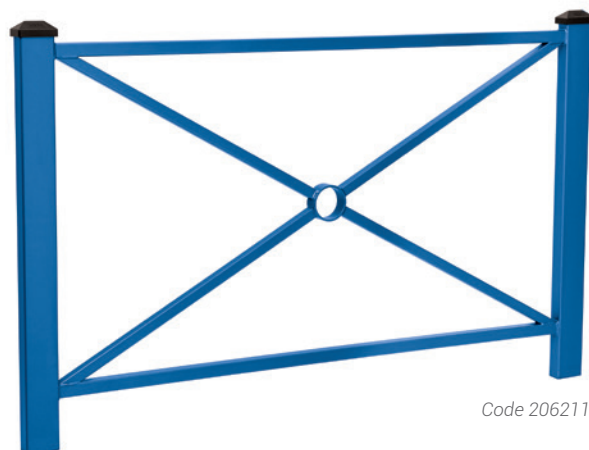
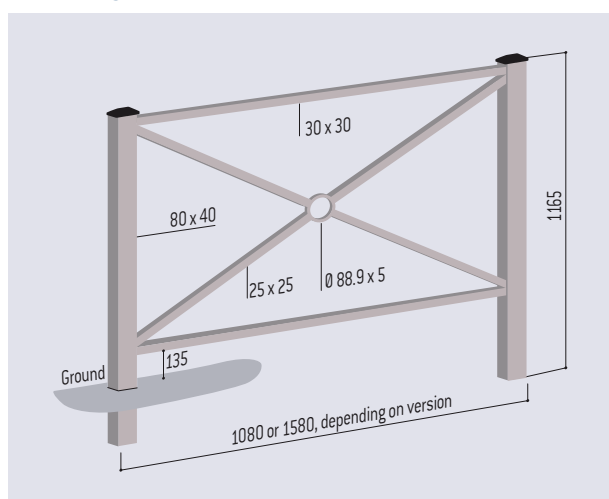
OPTIONS

- > Serrubloc® removable kit for Pagoda railings consists of two sockets, one of which can be locked with a triangle key. Self-draining: to be installed at the bottom of the sockets. Code 203401
- > Installation on 150x 150 mm base plates

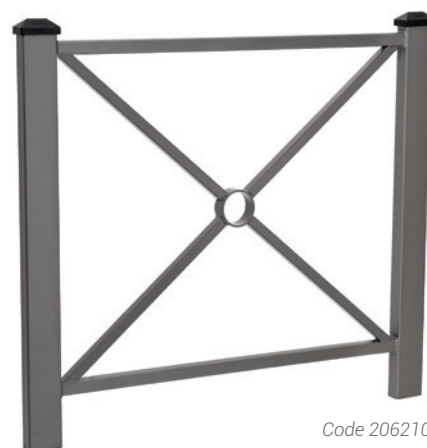
PRODUCT CODES

Length 1080 mm	206210
Length 1580 mm	206211

DRAWING



Code 206211



Code 206210



Serrubloc® removable kit
Code 203401

FINISH PAINTED

- > Zinc primed and painted in our colours

RAL 3020	RAL 3004	RAL 5010	RAL 6005	RAL 8017
RAL 7044	RAL 9010	RAL 9005	PROCITY® Grey	Corten effect

