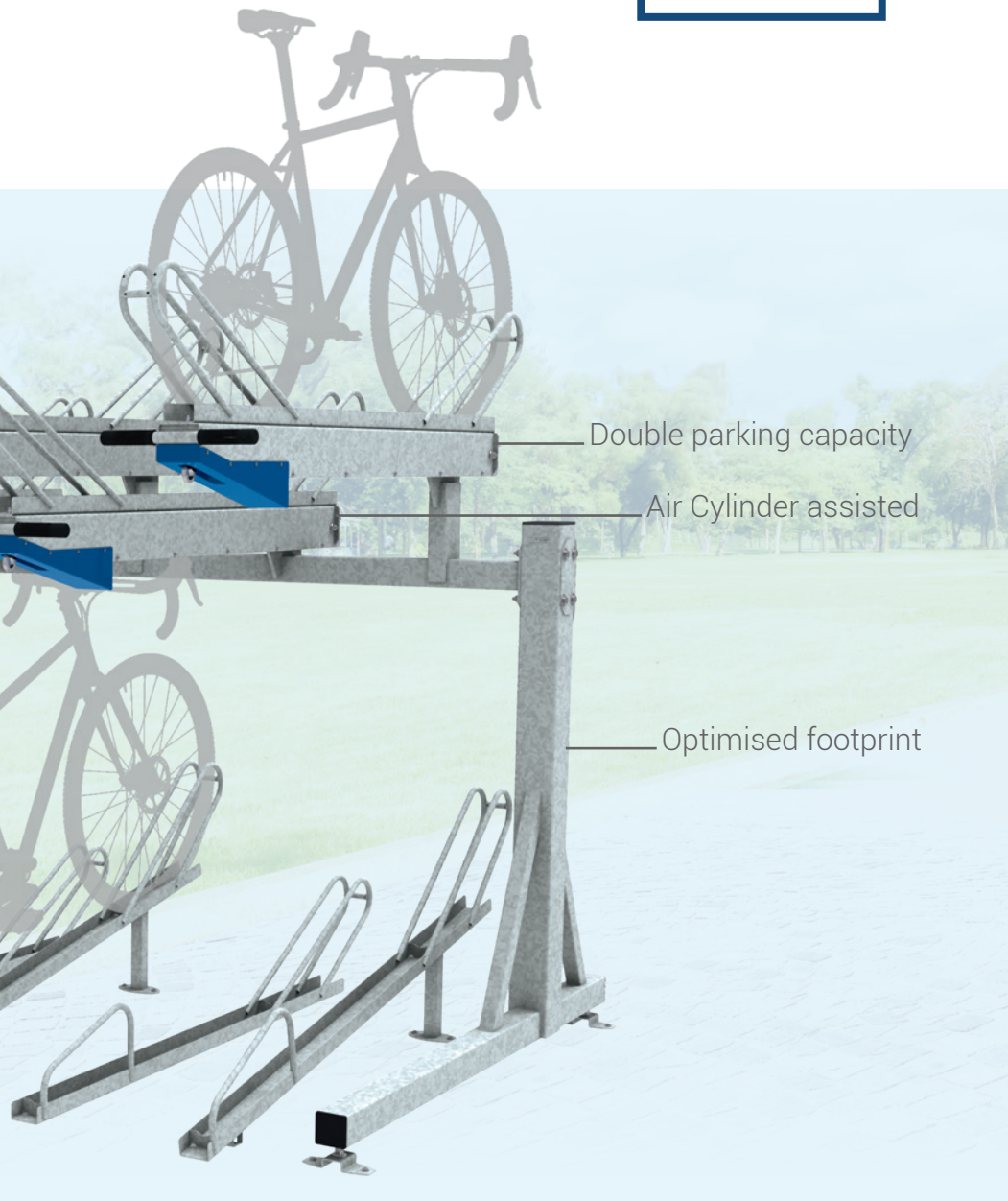


HORIZON double decker bike rack



Double parking capacity

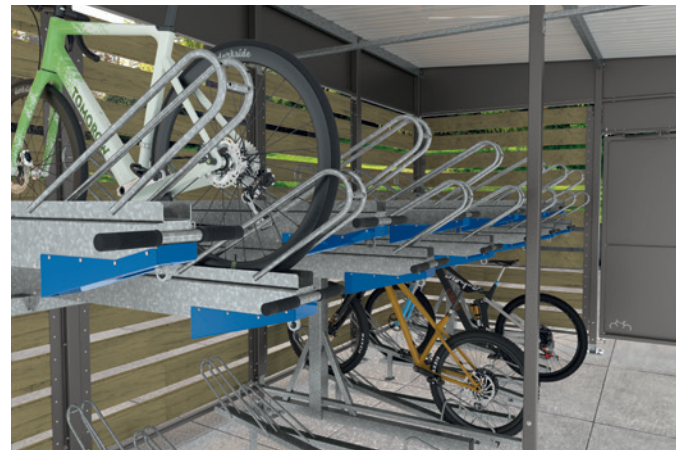
Air Cylinder assisted

Optimised footprint



TECHNICAL SPECIFICATIONS

- > Dimensions: w. 2895 x d. 1903 x h. 1838 mm (approximate total height with bicycles: 2500 mm)
- > Module: 12 places (6 places per level)
- > Structure: 100 x 100 mm tubular steel posts and 70 x 70 mm tubular steel cross-members
- > Air cylinder assisted upper rack
- > Easy to handle



Ref. 204790 + 529922 + 529923

INSTALLATION RECOMMENDATIONS

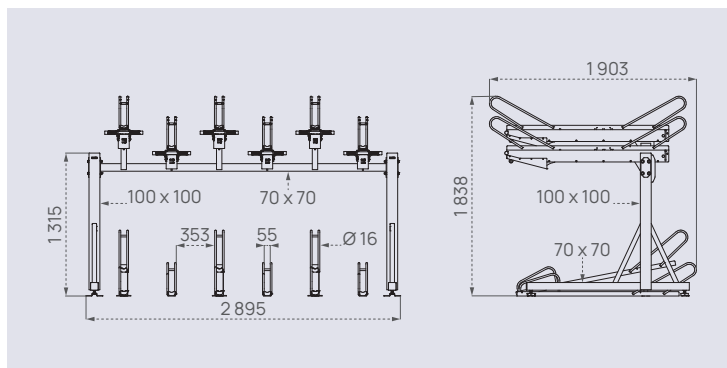
- > Mounted on adjustable feet
- > Ready to assemble

REFERENCES

Initial unit 2 x 6 seats	204790
Extension module 2 x 6 seats	204791
Options	
Additional secondary security bar for the upper rack (6 units)	204792
Additional secondary security bar for lower rack (3 units)	204793



SCHEMATICS



COATING FINISHES

- > Galvanised steel



Galvanised

