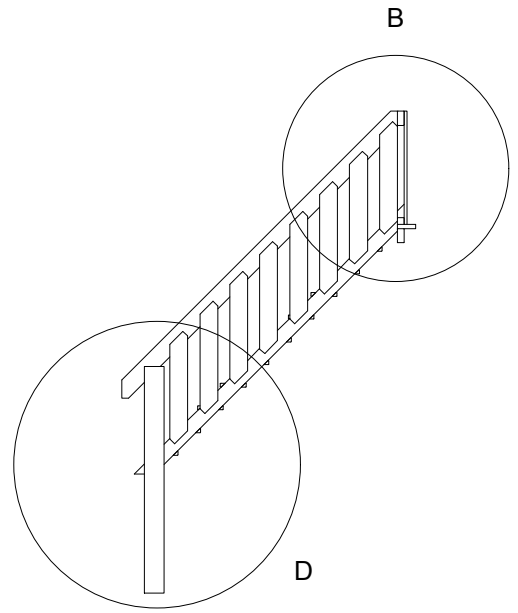
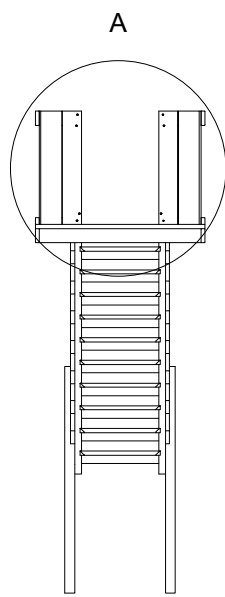
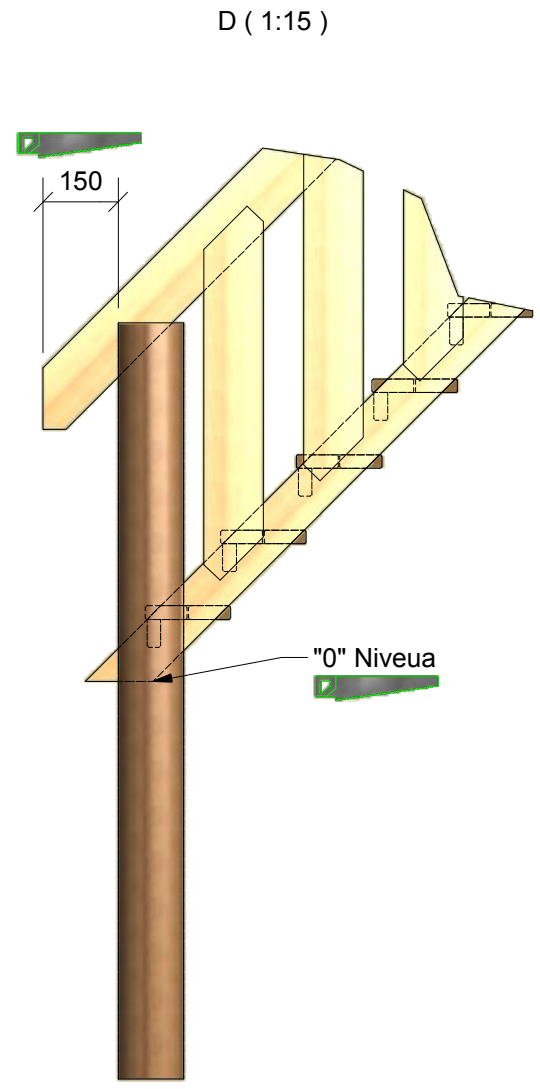
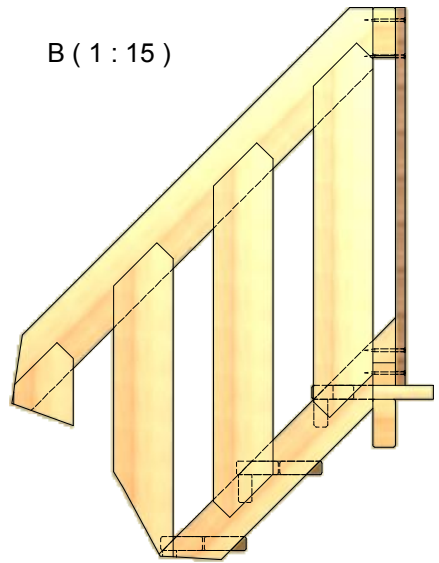
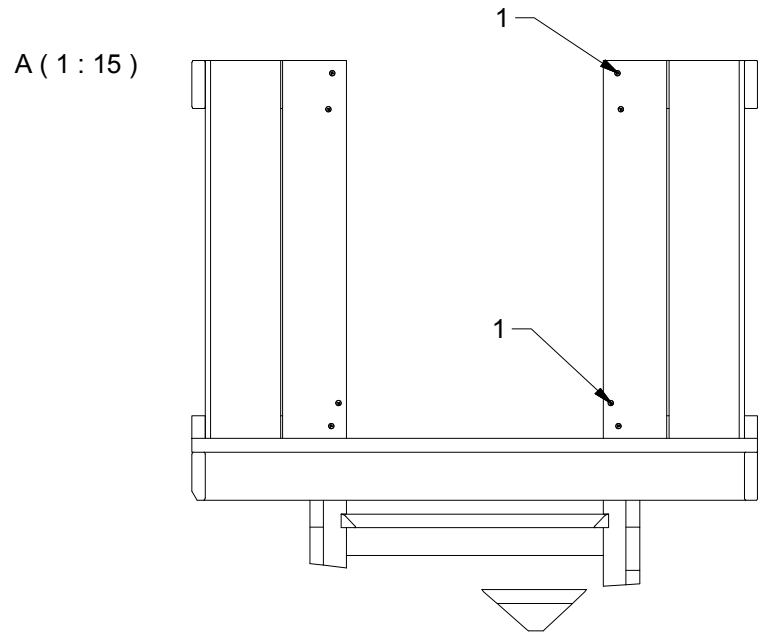


NORLEG	
Mont.p. nr. 59	
LE	
15.12.2010	REV. C: 16.07.2015



Parts list		
POS	PARTS NO	NAME/DIMENSION
1	LE 16192	5x 80 mm ASSY 3,0