
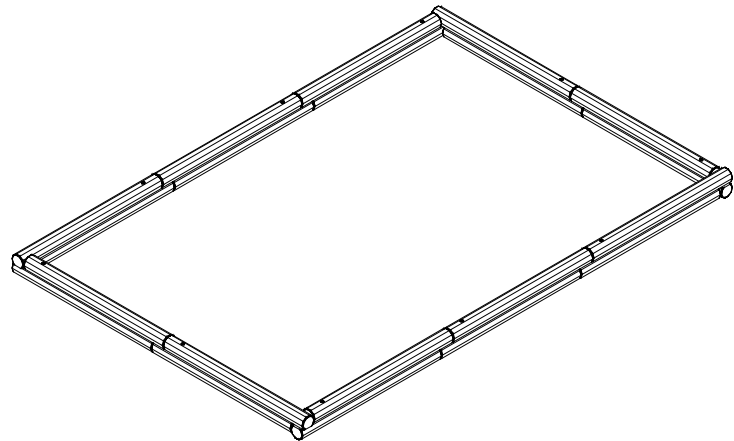


<b>NORLEG</b>	
Robinia Sandkasse type 1	
LE 20510	
21.08.2006	REV. -

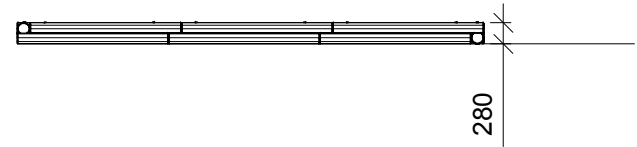
< 600



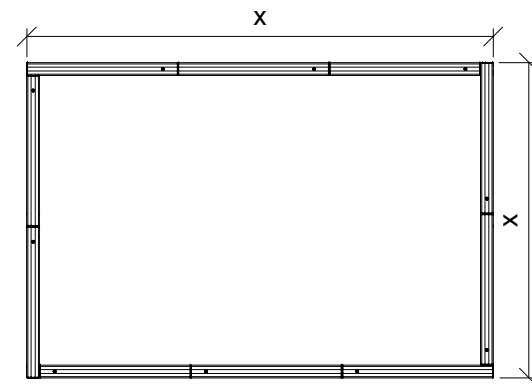
≥ EN 1176



1:100




1:100

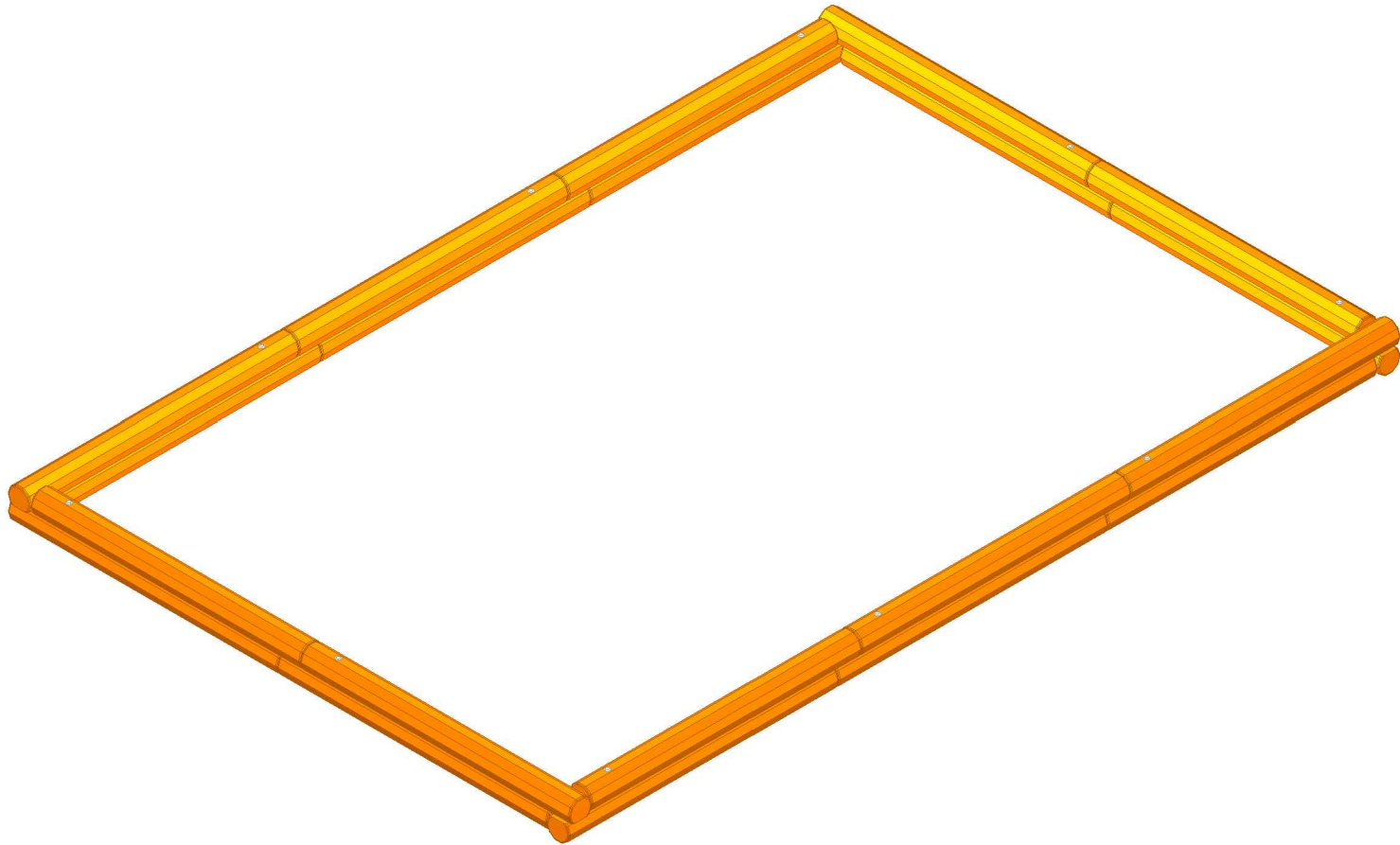


<b>NORLEG - 3D</b>	
Robinia Sandkasse type 1	
LE 20510	
21.08.2006	REV. -

< 600

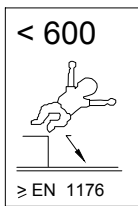


≥ EN 1176



This drawing is the property of NORLEG and pursuant to current legislation may not be copied, transferred to or used by any third party. Should this drawing be used, a fee of 10% of the assumed contract price will be charged.

<b>NORLEG</b> - Mont.	
Robinia Sandkasse type 1	
LE 20510	
21.08.2006	REV. -

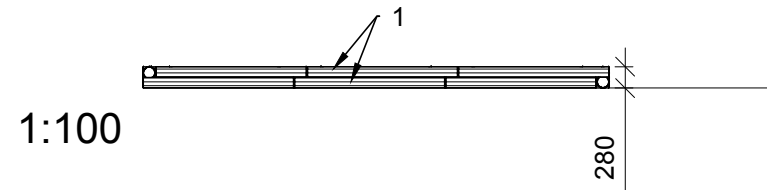
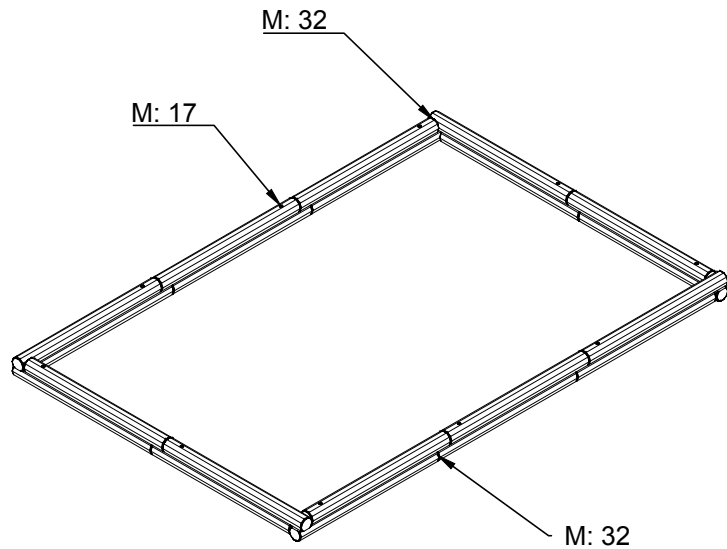


Mont.p. nr

17  
32

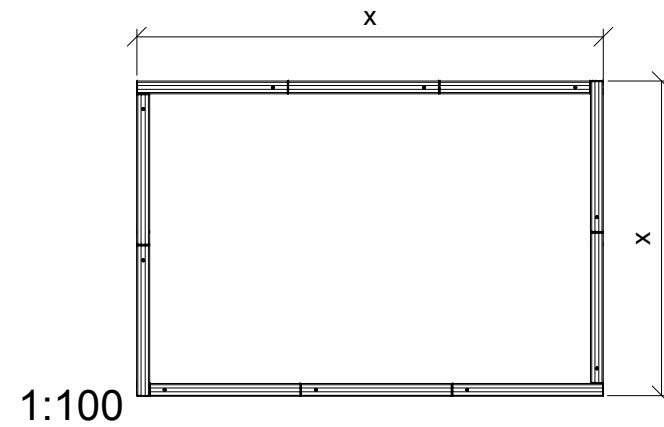
Robinia		
Mrk.	QTY	Part.no
1	x	160-180-2000-k

- k =
- d =
- v =
- h =
- t =



1:100

280



1:100