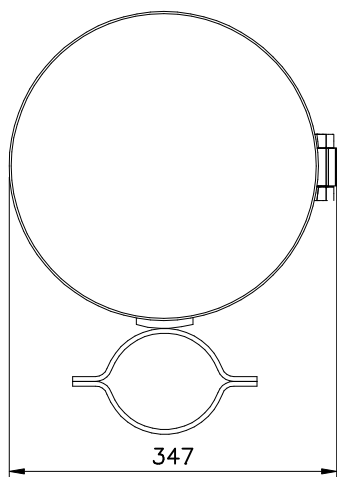
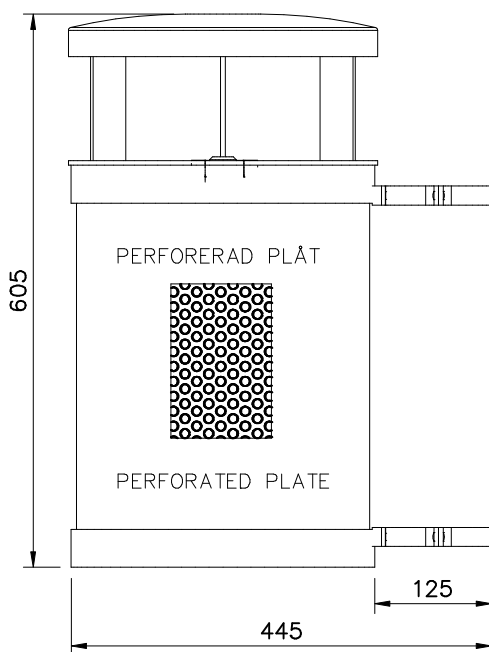
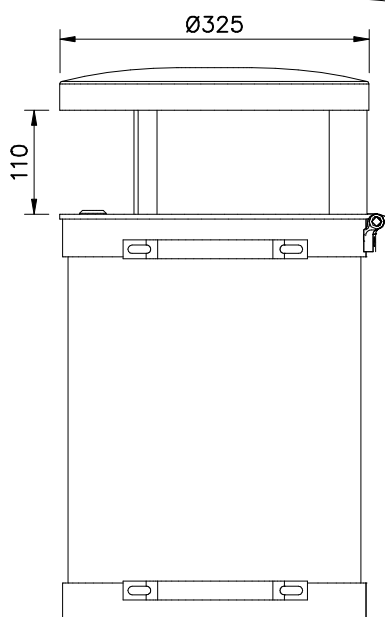
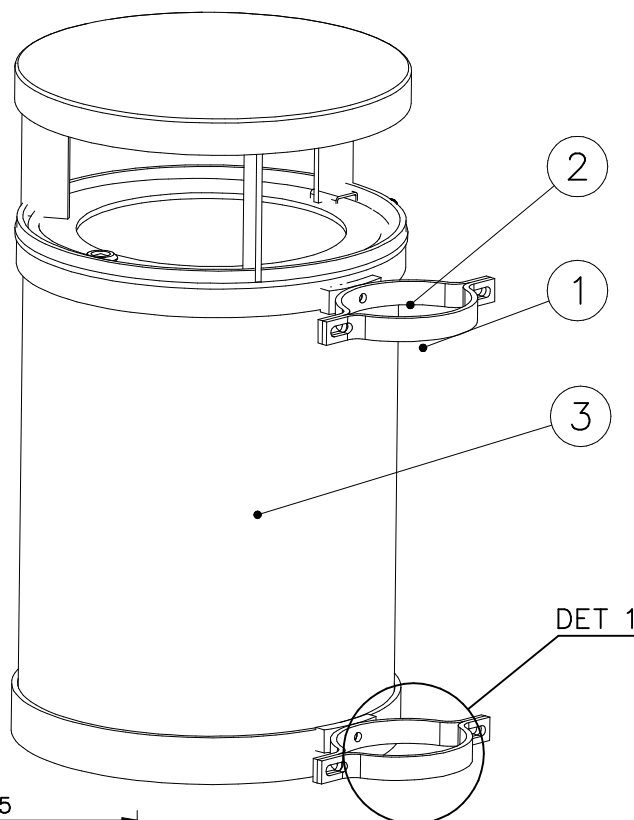


NF2473

DATUM: 10.5.2004

1(1)



① N24714	ST	② N24714	ST
2		2	
③ NF2471	ST	④ N01800	ST
1		4	
		M8	
⑤ N01820	ST	⑥ N01830	ST
2		4	
M8x20		M8x30	
⑦ N03816	ST	⑧ N00101	ST
4		1	
8,4x16x1,5		nyckel	
	ST		ST
	ST		ST

DET 1

