

# DECORATIVE RAILINGS

## JERSEY RAILING

### TECHNICAL CHARACTERISTICS

- > Length : 1470 mm
- > Total height : 1206 mm
- > Above-ground height : 1026 mm
- > Posts: steel tubes 40 x 40 mm
- > Horizontals 30 x 30 mm
- > Ground clearance: 100 mm
- > Two frame styles: simple cross or mesh (square mesh  $\varnothing$  4 mm)

### INSTALLATION

- > Installation: concreted directly into ground

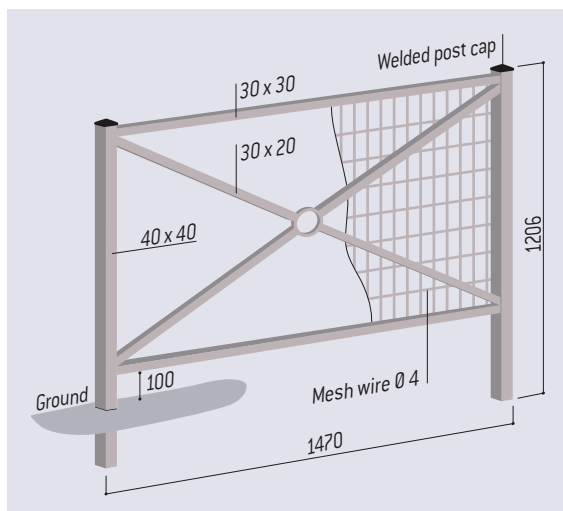
### OPTIONS

- > Can be made removable using our lockblock socket system. Self-draining through gravel at bottom of sockets composed of two sockets operated by a triangle key. Code 203402
- > Installation: on base plates on request

### PRODUCT CODES

Simple cross	206216
Mesh	206217

### DRAWING



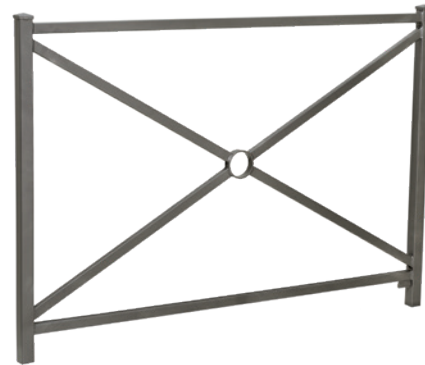
### FINISH PAINTED

- > Finish: zinc primed and painted in our colours

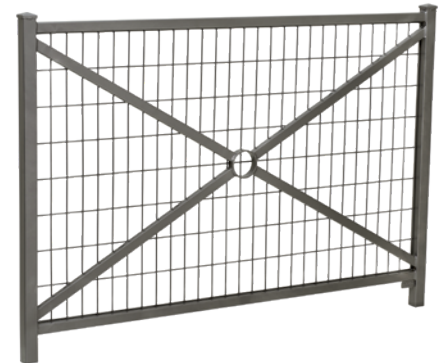
RAL 3020	RAL 3004	RAL 5010	RAL 6005	RAL 8017
RAL 7044	RAL 9010	RAL 9005	PROCITY® Grey	Corten effect



Code 206217



Code 206216



Code 206217



Lockblock® socket system  
Code 203402

