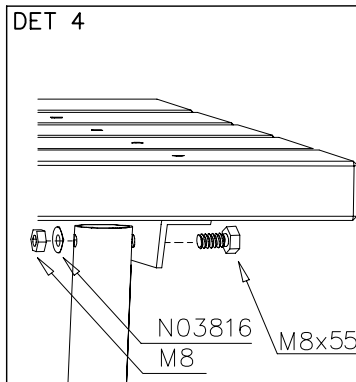
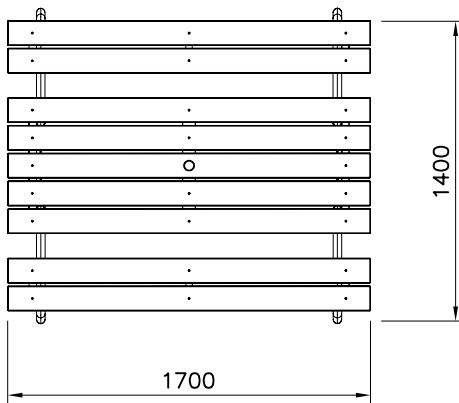
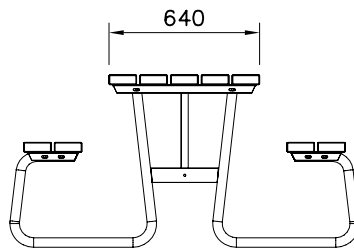
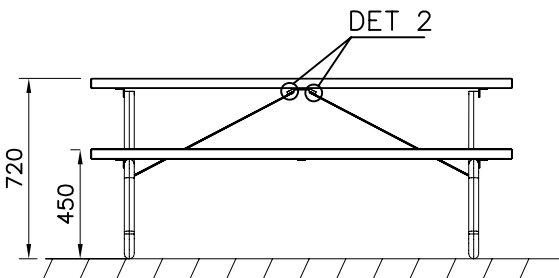
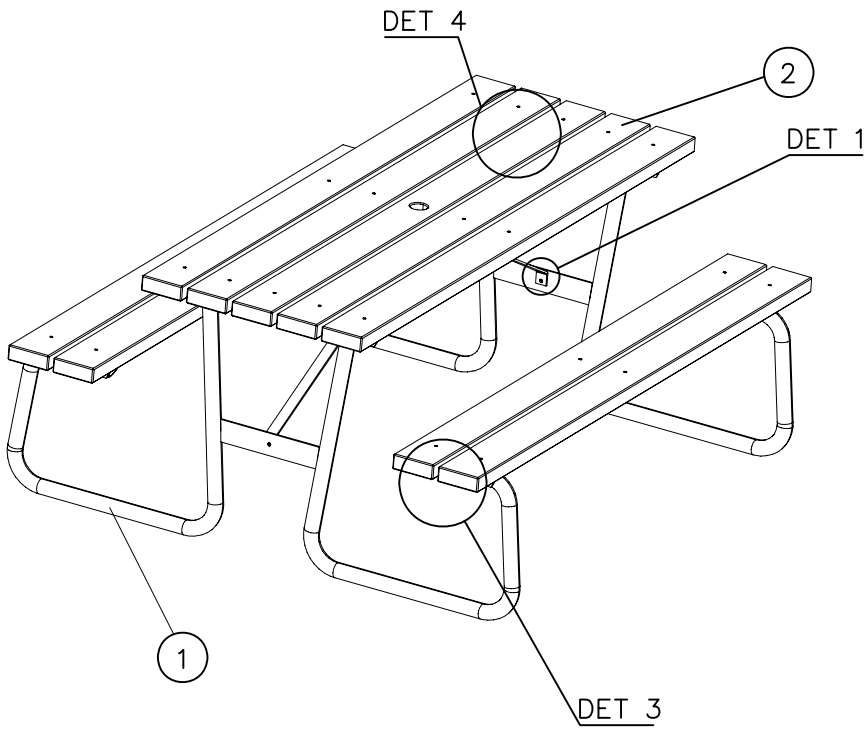


NF2591

DATUM: 30.11.2009

1(1)



| | | | |
|----------|-----|------------|-----|
| ① N25911 | PCS | ② N25917 | PCS |
| | 1 | | 9 |
| ③ N50855 | PCS | ④ N03816 | PCS |
| | 26 | | 16 |
| M8x55 | | 8,4x16x1,5 | |
| ⑤ N01800 | PCS | ⑥ N01855 | PCS |
| | 40 | | 12 |
| M8 | | M8x55 | |
| ⑦ N01816 | PCS | ⑧ N01820 | PCS |
| | 2 | | 2 |
| M8x16 | | M8x20 | |

