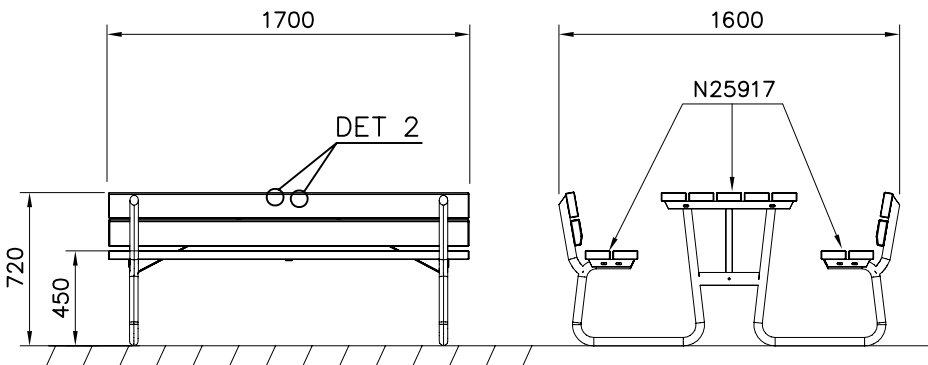
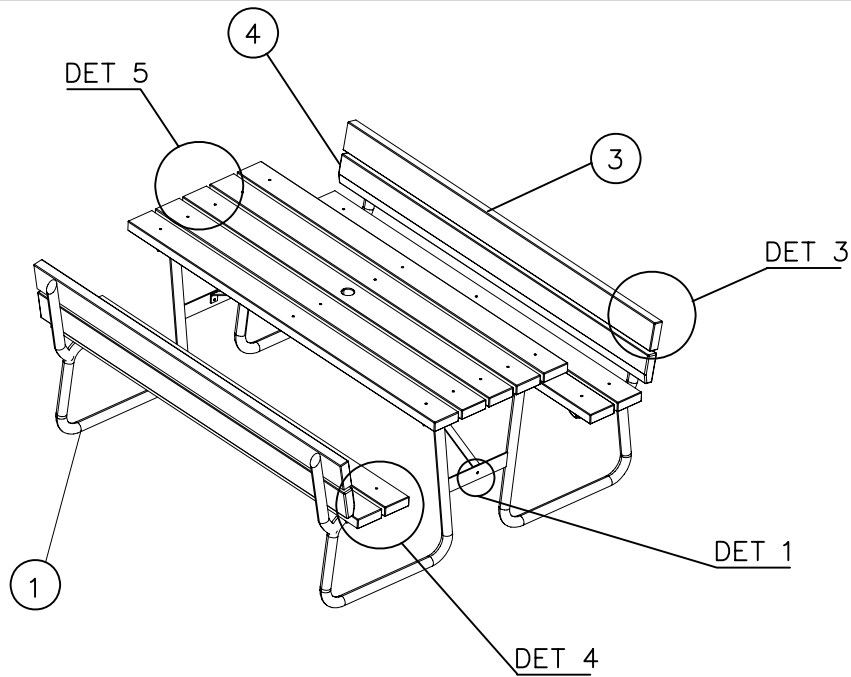


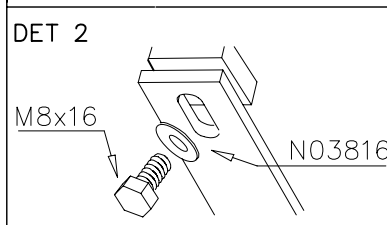
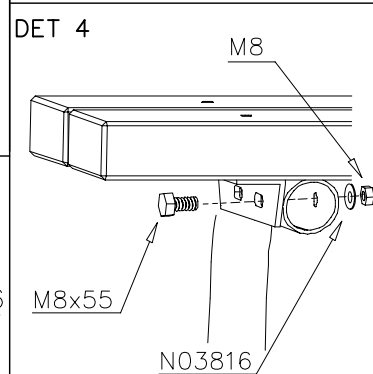
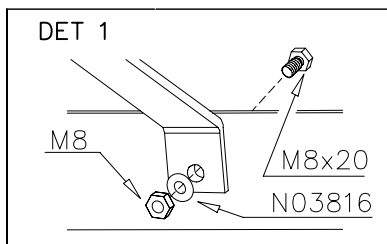
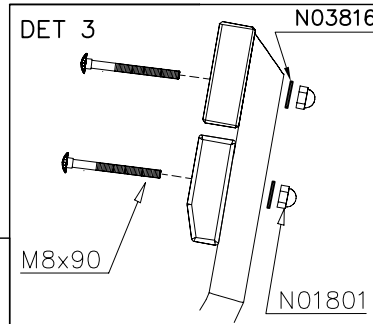
# NF2593

DATUM: 10.03.2010

1(1)



① N259113	PCS	② N25917	PCS
	1		9
③ N25918	PCS	④ N25919	PCS
	2		2
⑤ N50890	PCS	⑥ N03816	PCS
	8		24
M8x90		8,4x16x1,5	
⑦ N01800	PCS	⑧ N01855	PCS
	40		12
M8		M8x55	
⑨ N01816	PCS	⑩ N01820	PCS
	2		2
M8x16		M8x20	



⑪ N01801	PCS		
	8		
M8			

