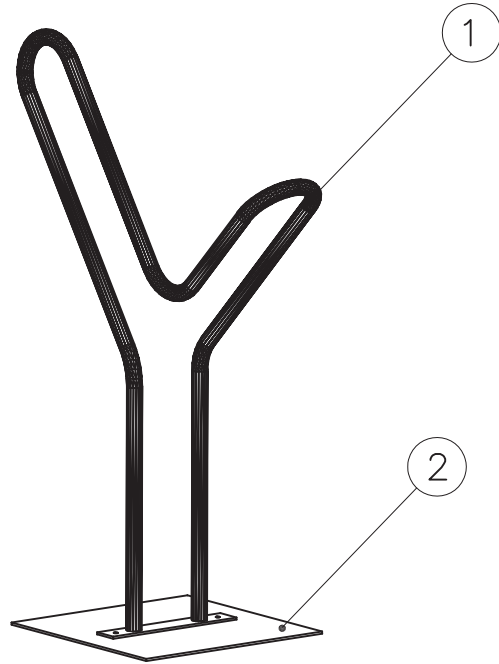







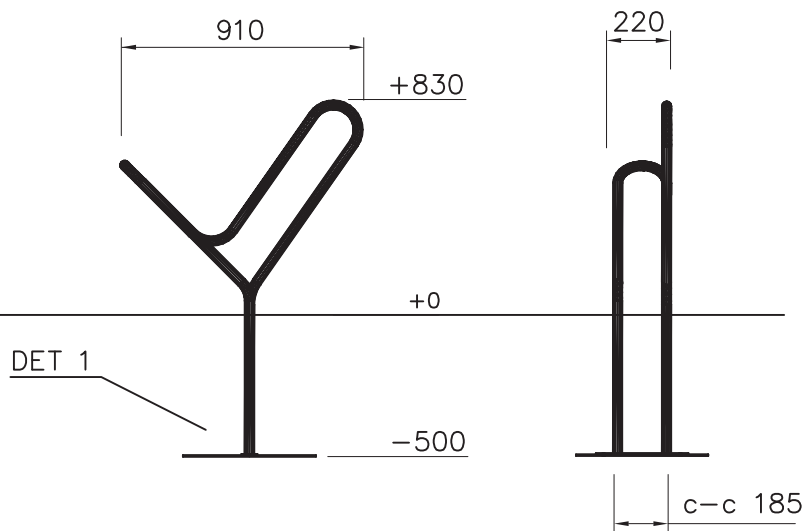
NF3930

DATE: 21.2.2014

1(1)

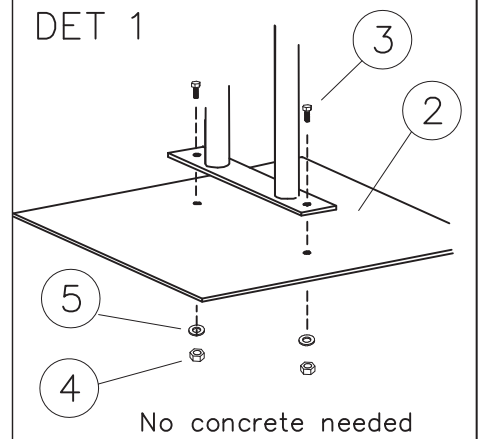


① N39301	PCS	② N39302	PCS
	1		1
③ N01830	PCS	④ N01800	PCS
	2		2
M8x30		M8	
⑤ N03816	PCS		PCS
	2		
8,4x16x1,5			



DET 1

DET 1



Recommendation of distance

