

1

LISBON BICYCLE STAND

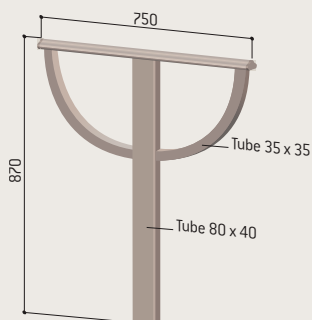
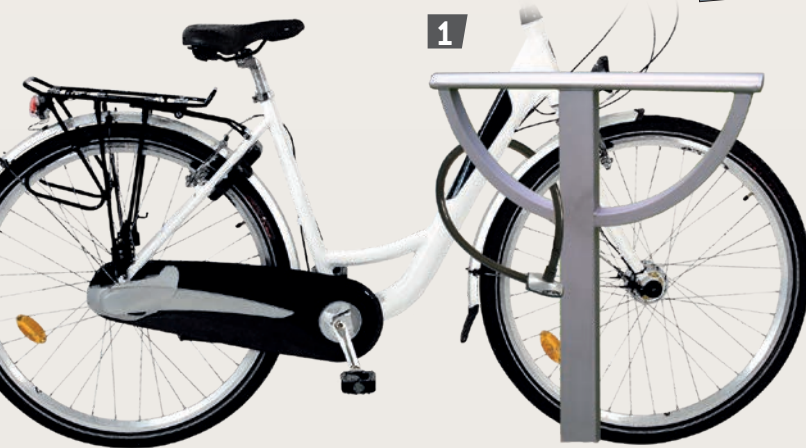
A compact bicycle stand allowing simultaneous fixing of the frame and the wheel. A welcome addition to the PROCITY® Lisbon railing.

- > Steel tube 80 x 40 mm and 35 x 35 mm.
- > Height above ground: 870 mm.
- > Length: 750 mm.
- > Galvanised and painted finish in our RAL colours.
- > To be concreted directly into the ground or on base plates.

	Galvanised	Painted
Concrete fix	207540	207541
On base plates	297540	297541



GALVANISED



2

VENICE BICYCLE STAND

The angular design contributes to a modern appearance.

- > 50 x 30 mm steel tube.
- > Height above ground: 850 mm.
- > Width: 545 mm.
- > Finish: galvanised or galvanised & painted in our RAL colours.
- > Installation on base plate.

Painted	297383
Galvanised	297381



2

