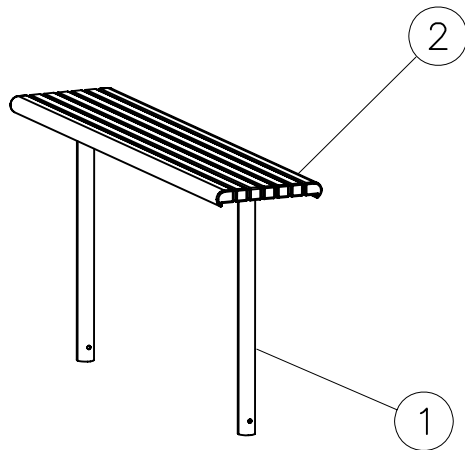


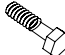



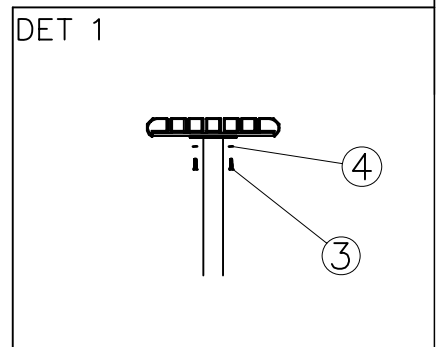
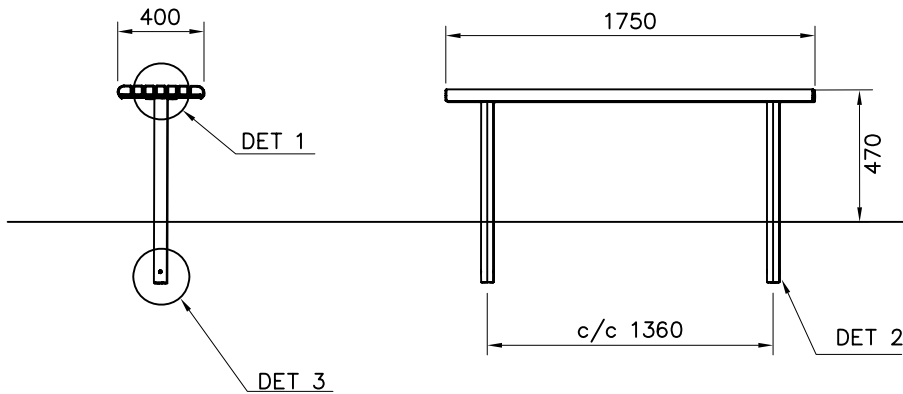
NFJ2061

DATUM: 09.12.2009

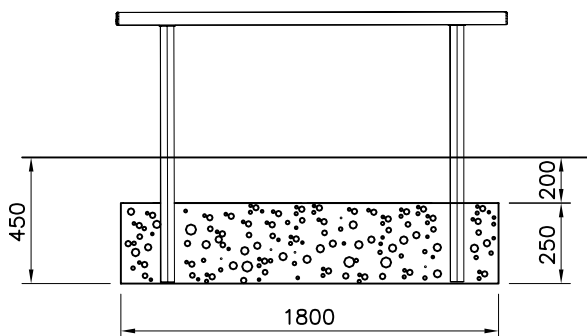
1(1)



① N902677	PCS	② SEAT	PCS
	2		1
Nedgj. Fot		L=1750	
③ N11016	PCS	④ N31028	PCS
	4		4
M10x16		11,5x28x2	



DET 2



DET 3

