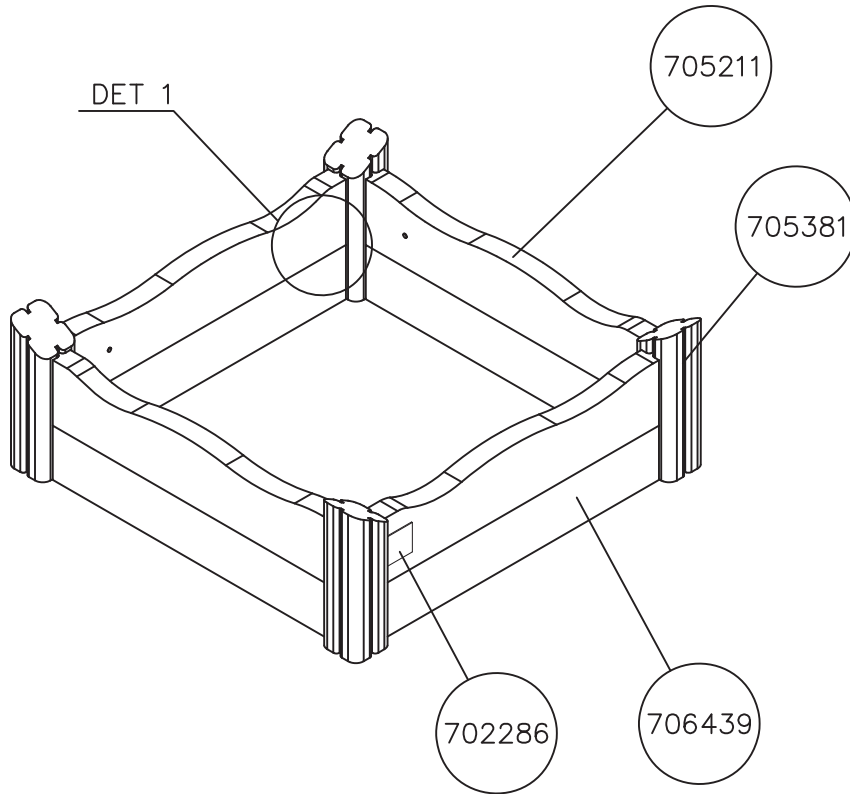


175589

DATE: 1.11.2018

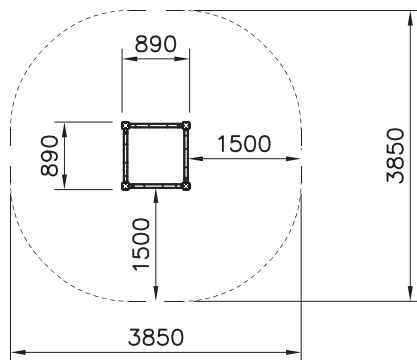
1(1)



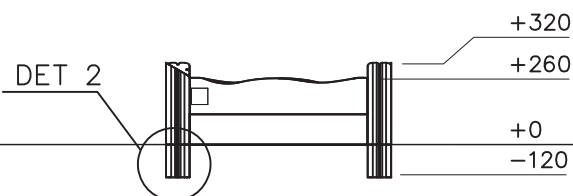
①	705211	PCS	②	705381	PCS
		4			4
	L=724			L 450	
③	706439	PCS	④	980131	PCS
		4			32
	L 704			Ø6x60	
⑤	905051	PCS	⑥	909506	PCS
		32			4
	Ø24/8.4			Ø3.5x13	
		PCS	⑦	702286	PCS
					1
				65x65	

----- Falling Space 12.6 m²
Max Falling Height 260 mm

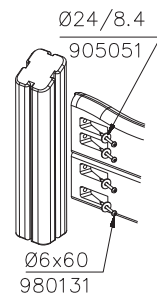
1:100



1:30



DET 1



DET 2

Sand 0.2–2 mm/
Gravel 2–8 mm

