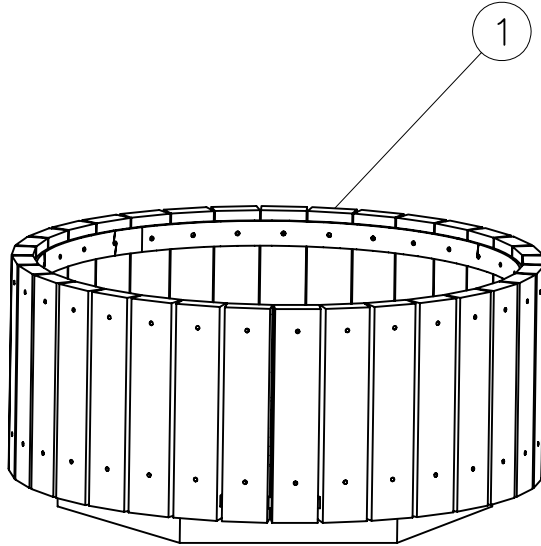



NF1910

DATE: 04.12.2009

1(1)

Product is delivered ready assembled
Produkten levereras färdigmonterad



① NF1910	PCS	②	PCS
	1		
③	PCS	④	PCS
⑤	PCS	⑥	PCS

