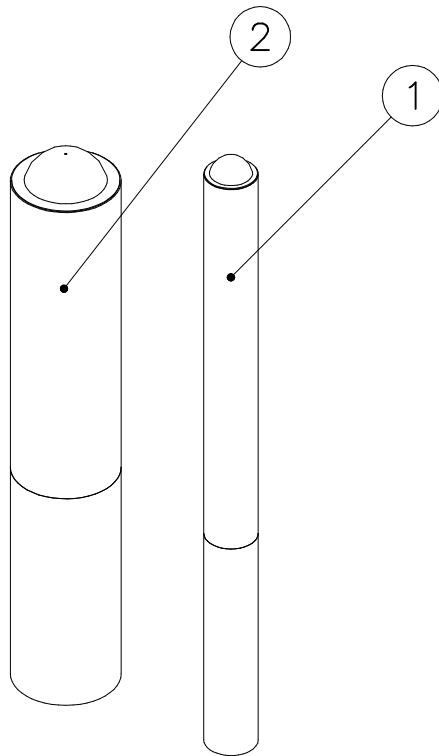


NF8000 & 8010

DATUM: 10.09.2004

1(1)



① NF8000	ST		ST
	1		
② NF8010	ST		ST
	1		
	ST		ST
	ST		ST

