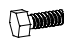

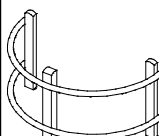


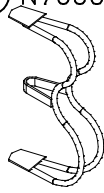
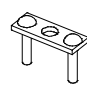
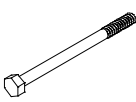
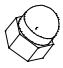

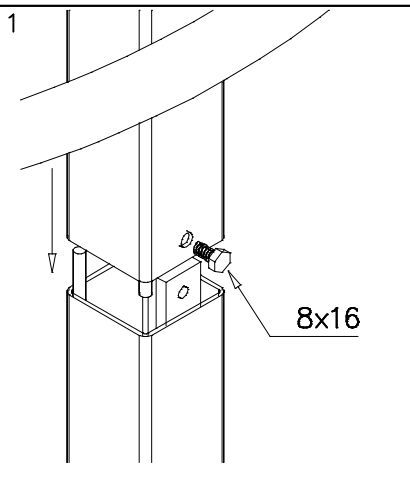
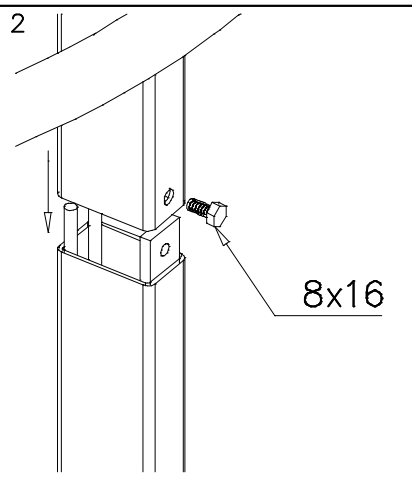
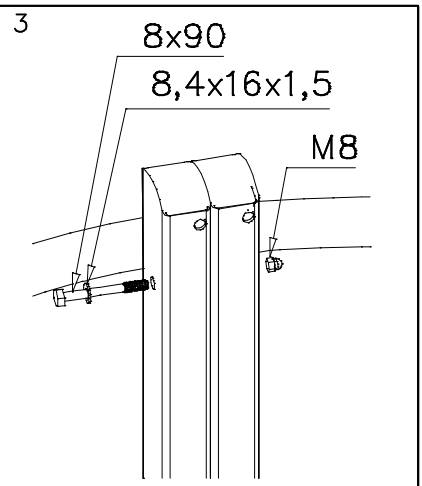
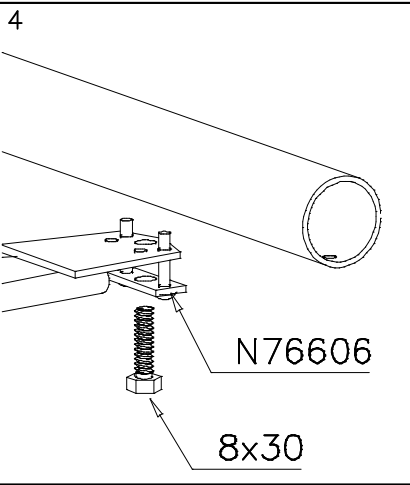
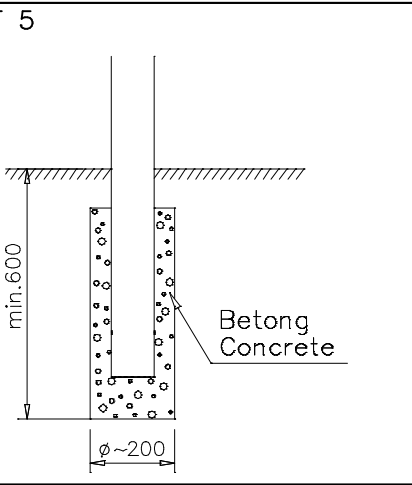


①	N01816	ST	②	N01830	ST
		6			32
					
	8x16			8x30	
③	N76411	ST	④	N76412	ST
		2			2
					
⑤	N76413	ST	⑥	N76605	ST
		4			16
					
⑦	N76606	ST	⑧	N01890	ST
		32			4
					
				8x90	
⑨	N01801	ST	⑩	N03816	ST
		4			4
					
	M8				
		ST			ST
		ST			ST
		ST			ST

<p>DET 1</p>  <p>8x16</p>	<p>DET 2</p>  <p>8x16</p>	<p>DET 3</p>  <p>8x90 8,4x16x1,5 M8</p>
<p>DET 4</p>  <p>N76606 8x30</p>	<p>DET 5</p>  <p>min. 600 Betong Concrete ø ~ 200</p>	