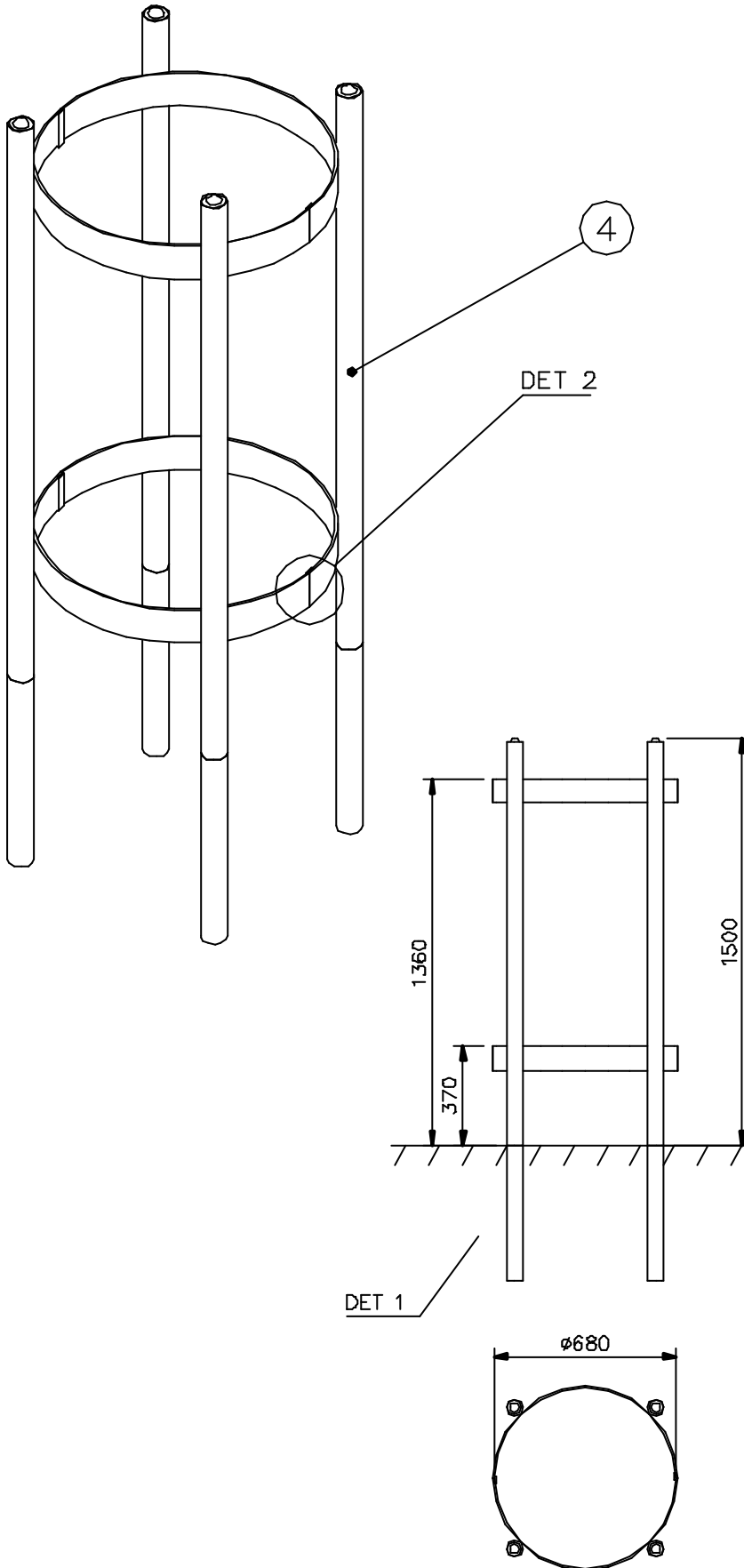



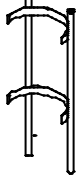


NF7721

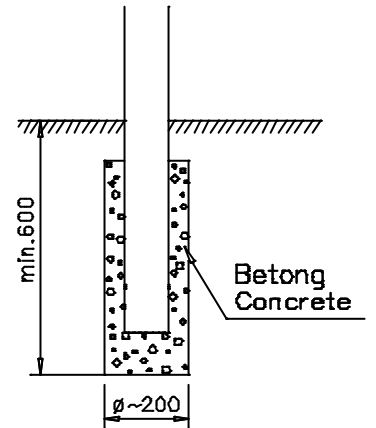
DATUM: 1.10.2003

1(1)



① N01800	ST	② N01820	ST
	4		4
			
M8		8x20	
③ N03816	ST	④ N77204	ST
	4		2
			
	ST		ST
	ST		ST

DET 1



DET 2

